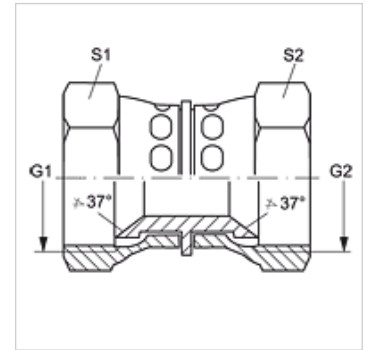


Properties

Connection 1	UN/UNF nut threads
Sealing form 1	74° inner cone
Connection 2	UN/UNF nut threads
Sealing form 2	74° inner cone
Design	Connectors
Construction	straight
Material	Steel
Surface	electro galvanised



Item

Identification	G1	G2	S1	S2
G AJ 04	7/16"-20 UNF	7/16"-20 UNF	14	14
G AJ 05	1/2"-20 UNF	1/2"-20 UNF	17	17
G AJ 06 AJ 04	9/16"-18 UNF	7/16"-20 UNF	19	14
G AJ 06 AJ 05	9/16"-18 UNF	1/2"-20 UNF	19	17
G AJ 06	9/16"-18 UNF	9/16"-18 UNF	19	19
G AJ 08 AJ 06	3/4"-16 UNF	9/16"-18 UNF	22	19
G AJ 08	3/4"-16 UNF	3/4"-16 UNF	22	22
G AJ 10 AJ 06	7/8" -14 UNF	9/16"-18 UNF	27	19
G AJ 10 AJ 08	7/8" -14 UNF	3/4"-16 UNF	27	22
G AJ 10	7/8" -14 UNF	7/8"-14 UNF	27	27
G AJ 12	1.1/16" -12 UN	1.1/16" -12 UN	32	32
G AJ 16 AJ 12	1.5/16" -12 UN	1.1/16" -12 UN	41	32
G AJ 16	1.5/16" -12 UN	1.5/16" -12 UN	41	41
G AJ 20	1.5/8" -12 UN	1.5/8" -12 UN	50	50
G AJ 24	1.7/8" -12 UN	1.7/8" -12 UN	60	60

SW, S1, S2 = With across flats

Product versions

G AJ VA Connectors, Stainless steel