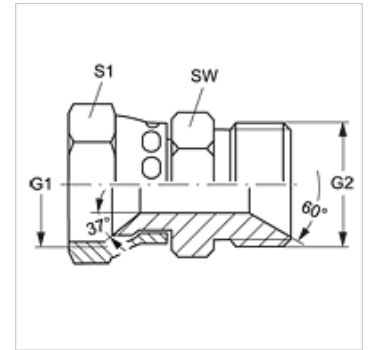
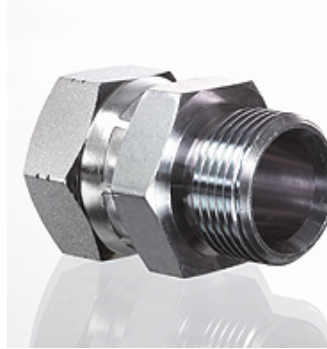


# G AJ HB

## Connectors

### Properties

<b>Connection 1</b>	UN/UNF nut threads
<b>Sealing form 1</b>	74° inner cone
<b>Connection 2</b>	BSP cylindrical external threads
<b>Sealing form 2</b>	60° inner cone
<b>Design</b>	Connectors
<b>Construction</b>	straight
<b>Material</b>	Steel
<b>Surface</b>	electro galvanised



### Item

Identification	G1	G2	AF (mm)	S1
G AJ 04 HB 02	7/16"-20 UNF	G 1/8" -28	14	17
G AJ 04 HB	7/16"-20 UNF	G 1/4" -19	19	17
G AJ 04 HB 06	7/16"-20 UNF	G 3/8" -19	22	17
G AJ 04 HB 08	7/16"-20 UNF	G 1/2" -14	27	17
G AJ 05 HB 04	1/2"-20 UNF	G 1/4" -19	19	17
G AJ 06 HB 04	9/16"-18 UNF	G 1/4" -19	19	19
G AJ 06 HB	9/16"-18 UNF	G 3/8" -19	22	19
G AJ 06 HB 08	9/16"-18 UNF	G 1/2" -14	27	19
G AJ 08 HB 04	3/4"-16 UNF	G 1/4" -19	19	24
G AJ 08 HB 06	3/4"-16 UNF	G 3/8" -19	22	24
G AJ 08 HB	3/4"-16 UNF	G 1/2" -14	27	24
G AJ 08 HB 12	3/4"-16 UNF	G 3/4" -14	32	24
G AJ 10 HB 06	7/8" -14 UNF	G 3/8" -19	22	27
G AJ 10 HB 08	7/8" -14 UNF	G 1/2" -14	27	27
G AJ 10 HB	7/8" -14 UNF	G 5/8" -14	30	27
G AJ 10 HB 12	7/8" -14 UNF	G 3/4" -14	32	27
G AJ 12 HB 08	1.1/16" -12 UN	G 1/2" -14	27	32
G AJ 12 HB	1.1/16" -12 UN	G 3/4" -14	32	32
G AJ 12 HB 16	1.1/16" -12 UN	G 1" -11	41	32
G AJ 16 HB 12	1.5/16" -12 UN	G 3/4" -14	32	41
G AJ 16 HB	1.5/16" -12 UN	G 1" -11	46	41
G AJ 20 HB	1.5/8" -12 UN	G 1.1/4" -11	50	50
G AJ 24 HB	1.7/8" -12 UN	G 1.1/2" -11	55	55
G AJ 32 HB	2.1/2" -12 UN	G 2" -11	70	70

SW, S1, S2 = With across flats