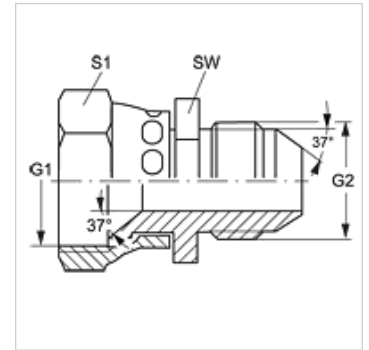


Properties

Connection 1	UN/UNF nut threads
Sealing form 1	74° inner cone
Connection 2	UN/UNF external threads
Sealing form 2	74° outer cone
Design	Connectors
Construction	straight
Material	Steel
Surface	electro galvanised



Item

Identification	G1	G2	AF (mm)	S1
G AJ 04 HJ	7/16"-20 UNF	7/16"-20 UNF	12	17
G AJ 04 HJ 06	7/16"-20 UNF	9/16"-18 UNF	17	17
G AJ 05 HJ 04	1/2"-20 UNF	7/16"-20 UNF	14	17
G AJ 05 HJ	1/2"-20 UNF	1/2"-20 UNF	14	17
G AJ 06 HJ 04	9/16"-18 UNF	7/16"-20 UNF	17	17
G AJ 06 HJ 05	9/16"-18 UNF	1/2"-20 UNF	17	19
G AJ 06 HJ	9/16"-18 UNF	9/16"-18 UNF	17	19
G AJ 06 HJ 08	9/16"-18 UNF	3/4"-16 UNF	22	19
G AJ 08 HJ 04	3/4"-16 UNF	7/16"-20 UNF	19	22
G AJ 08 HJ 05	3/4"-16 UNF	1/2"-20 UNF	22	22
G AJ 08 HJ 06	3/4"-16 UNF	9/16"-18 UNF	19	22
G AJ 08 HJ	3/4"-16 UNF	3/4"-16 UNF	22	24
G AJ 08 HJ 10	3/4"-16 UNF	7/8"-14 UNF	24	24
G AJ 08 HJ 12	3/4"-16 UNF	1.1/16" -12 UN	24	24
G AJ 10 HJ 04	7/8" -14 UNF	7/16"-20 UNF	19	27
G AJ 10 HJ 05	7/8" -14 UNF	1/2"-20 UNF	19	27
G AJ 10 HJ 06	7/8" -14 UNF	9/16"-18 UNF	24	27
G AJ 10 HJ 08	7/8" -14 UNF	3/4"-16 UNF	22	27
G AJ 10 HJ	7/8" -14 UNF	7/8"-14 UNF	24	27
G AJ 10 HJ 12	7/8" -14 UNF	1.1/16" -12 UN	28	27
G AJ 12 HJ 04	1.1/16" -12 UN	7/16"-20 UNF	24	32
G AJ 12 HJ 05	1.1/16" -12 UN	1/2"-20 UNF	24	32
G AJ 12 HJ 06	1.1/16" -12 UN	9/16"-18 UNF	27	32
G AJ 12 HJ 08	1.1/16" -12 UN	3/4"-16 UNF	29	32
G AJ 12 HJ 10	1.1/16" -12 UN	7/8"-14 UNF	27	32
G AJ 12 HJ	1.1/16" -12 UN	1.1/16" -12 UN	32	32
G AJ 12 HJ 16	1.1/16" -12 UN	1.5/16" -12 UN	27	32
G AJ 14 HJ 12	1.3/16" -12 UN	1.1/16" -12 UN	32	35
G AJ 16 HJ 08	1.5/16" -12 UN	3/4"-16 UNF	36	41
G AJ 16 HJ 10	1.5/16" -12 UN	7/8"-14 UNF	36	41
G AJ 16 HJ 12	1.5/16" -12 UN	1.1/16" -12 UN	36	41
G AJ 16 HJ 14	1.5/16" -12 UN	1.3/16" -12 UN	36	41
G AJ 16 HJ	1.5/16" -12 UN	1.5/16" -12 UN	36	41
G AJ 20 HJ 10	1.5/8" -12 UN	7/8"-14 UNF	46	50
G AJ 20 HJ 12	1.5/8" -12 UN	1.1/16" -12 UN	41	41
G AJ 20 HJ 14	1.5/8" -12 UN	1.3/16" -12 UN	46	50
G AJ 20 HJ 16	1.5/8" -12 UN	1.5/16" -12 UN	46	50
G AJ 20 HJ	1.5/8" -12 UN	1.5/8" -12 UN	46	50
G AJ 24 HJ 20	1.7/8" -12 UN	1.5/8" -12 UN	50	55
G AJ 24 HJ	1.7/8" -12 UN	1.7/8" -12 UN	50	55
G AJ 32 HJ 24	2.1/2" -12 UN	1.7/8" -12 UN	65	70

SW, S1, S2 = With across flats

Product versions

G AJ HJ VA Connectors, Stainless steel