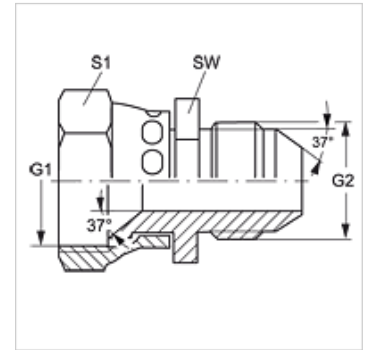


G AJ HJ VA

Connectors

Properties

Connection 1	UN/UNF nut threads
Sealing form 1	74° inner cone
Connection 2	UN/UNF external threads
Sealing form 2	74° outer cone
Design	Connectors
Construction	straight
Material	Stainless steel



Item

Identification	G1	G2	AF (mm)	S1
G AJ 04 HJ VA	7/16"-20 UNF	7/16"-20 UNF	12	17
G AJ 05 HJ VA	1/2"-20 UNF	1/2"-20 UNF	14	17
G AJ 06 HJ 04 VA	9/16"-18 UNF	7/16"-20 UNF	17	17
G AJ 06 HJ 05 VA	9/16"-18 UNF	1/2"-20 UNF	17	19
G AJ 06 HJ VA	9/16"-18 UNF	9/16"-18 UNF	17	19
G AJ 06 HJ 08 VA	9/16"-18 UNF	3/4"-16 UNF	22	19
G AJ 08 HJ 04 VA	3/4"-16 UNF	7/16"-20 UNF	19	22
G AJ 08 HJ 05 VA	3/4"-16 UNF	1/2"-20 UNF	22	22
G AJ 08 HJ 06 VA	3/4"-16 UNF	9/16"-18 UNF	19	22
G AJ 08 HJ VA	3/4"-16 UNF	3/4"-16 UNF	22	24
G AJ 08 HJ 10 VA	3/4"-16 UNF	7/8"-14 UNF	24	24
G AJ 10 HJ 08 VA	7/8" -14 UNF	3/4"-16 UNF	22	27
G AJ 10 HJ 04 VA	7/8" -14 UNF	7/16"-20 UNF	19	27
G AJ 10 HJ 06 VA	7/8" -14 UNF	9/16"-18 UNF	24	27
G AJ 10 HJ VA	7/8" -14 UNF	7/8"-14 UNF	24	27
G AJ 12 HJ 04 VA	1.1/16" -12 UN	7/16"-20 UNF	24	32
G AJ 12 HJ 06 VA	1.1/16" -12 UN	9/16"-18 UNF	27	32
G AJ 12 HJ 08 VA	1.1/16" -12 UN	3/4"-16 UNF	29	32
G AJ 12 HJ 10 VA	1.1/16" -12 UN	7/8"-14 UNF	27	32
G AJ 12 HJ VA	1.1/16" -12 UN	1.1/16" -12 UN	32	32
G AJ 16 HJ 12 VA	1.5/16" -12 UN	1.1/16" -12 UN	36	41
G AJ 16 HJ VA	1.5/16" -12 UN	1.5/16" -12 UN	36	41
G AJ 16 HJ 08 VA	1.5/16" -12 UN	3/4"-16 UNF	36	41
G AJ 20 HJ 12 VA	1.5/8" -12 UN	1.1/16" -12 UN	41	41
G AJ 20 HJ 16 VA	1.5/8" -12 UN	1.5/16" -12 UN	46	50
G AJ 20 HJ VA	1.5/8" -12 UN	1.5/8" -12 UN	46	50
G AJ 24 HJ VA	1.7/8" -12 UN	1.7/8" -12 UN	50	55
G AJ 24 HJ 20 VA	1.7/8" -12 UN	1.5/8" -12 UN	50	55

SW, S1, S2 = With across flats

Product versions

G AJ HJ Connectors, Steel