

# G AJ HJOF

## Connectors

### Properties

**Connection 1** UN/UNF nut threads

**Sealing form 1** 74° inner cone

**Connection 2** ORFS external threads

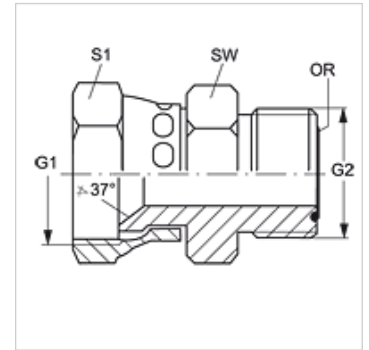
**Sealing form 2** flat seal with O-ring

**Design** Connectors

**Construction** straight

**Material** Steel

**Surface** electro galvanised



### Item

Identification	G1	G2	AF (mm)	S1	OR
<b>G AJ 04 HJOF</b>	7/16"-20 UNF	9/16"-18 UNF	16	14	7.65 x 1.78
<b>G AJ 06 HJOF</b>	9/16"-18 UNF	11/16" -16 UN	19	18	9.25 x 1.78
<b>G AJ 08 HJOF</b>	3/4"-16 UNF	13/16" -16 UN	22	22	12.42 x 1.78
<b>G AJ 10 HJOF</b>	7/8" -14 UNF	1" -14 UNS	27	25	15.60 x 1.78
<b>G AJ 12 HJOF</b>	1.1/16" -12 UN	1.3/16" -12 UN	32	32	18.77 x 1.78
<b>G AJ 16 HJOF</b>	1.5/16" -12 UN	1.7/16" -12 UN	38	38	23.52 x 1.78

SW, S1, S2 = With across flats