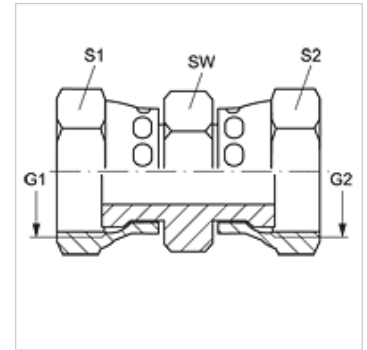
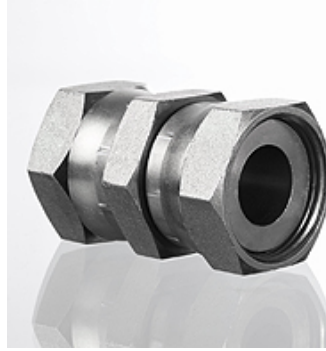


Properties

Connection 1	ORFS nut threads
Sealing form 1	flat sealing
Connection 2	ORFS nut threads
Sealing form 2	Flat seal
Design	Connectors
Construction	straight
Material	Steel
Surface	electro galvanised



Item

Identification	G1 + G2	AF (mm)	S1	S2
G AJF 04	9/16"-18 UNF	17	18	18
G AJF 06	11/16" -16 UN	19	21	21
G AJF 08	13/16" -16 UN	22	24	24
G AJF 10	1" -14 UNS	27	29	29
G AJF 12	1.3/16" -12 UN	32	35	35
G AJF 16	1.7/16" -12 UN	38	41	41
G AJF 20	1.11/16" -12 UN	46	48	48
G AJF 24	2" -12 UN	55	55	57

SW, S1, S2 = With across flats