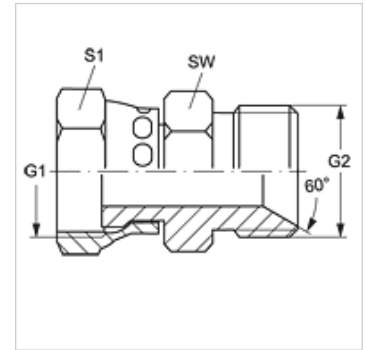


G AJF HB

Connectors

Properties

Connection 1	ORFS nut threads
Sealing form 1	flat sealing
Connection 2	BSP cylindrical external threads
Sealing form 2	60° inner cone
Design	Connectors
Construction	straight
Material	Steel
Surface	electro galvanised



Item

Identification	G1	G2	AF (mm)	S1
G AJF 04 HB	9/16"-18 UNF	G 1/4" -19	19	17
G AJF 04 HB 06	9/16"-18 UNF	G 3/8" -19	22	17
G AJF 06 HB 04	11/16" -16 UN	G 1/4" -19	19	22
G AJF 06 HB	11/16" -16 UN	G 3/8" -19	22	22
G AJF 06 HB 08	11/16" -16 UN	G 1/2" -14	27	22
G AJF 08 HB 06	13/16" -16 UN	G 3/8" -19	22	24
G AJF 08 HB	13/16" -16 UN	G 1/2" -14	27	24
G AJF 10 HB 08	1" -14 UNS	G 1/2" -14	27	30
G AJF 10 HB	1" -14 UNS	G 5/8" -14	30	30
G AJF 10 HB 12	1" -14 UNS	G 3/4" -14	32	30
G AJF 12 HB	1.3/16" -12 UN	G 3/4" -14	32	36
G AJF 12 HB 16	1.3/16" -12 UN	G 1" -11	41	36
G AJF 16 HB 12	1.7/16" -12 UN	G 3/4" -14	32	41
G AJF 16 HB	1.7/16" -12 UN	G 1" -11	41	41
G AJF 16 HB 20	1.7/16" -12 UN	G 1.1/4" -11	50	41
G AJF 20 HB	1.11/16" -12 UN	G 1.1/4" -11	50	50
G AJF 24 HB	2" -12 UN	G 1.1/2" -11	55	60

SW, S1, S2 = With across flats