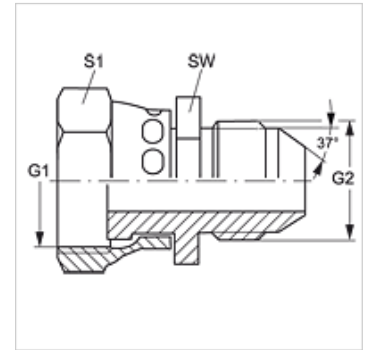


G AJF HJ

Connectors

Properties

Connection 1	ORFS nut threads
Sealing form 1	flat sealing
Connection 2	UN/UNF external threads
Sealing form 2	74° outer cone
Design	Connectors
Construction	straight
Material	Steel
Surface	electro galvanised



Item

Identification	G1	G2	AF (mm)	S1
G AJF 04 HJ	9/16"-18 UNF	7/16"-20 UNF	17	19
G AJF 06 HJ	11/16" -16 UN	9/16"-18 UNF	19	22
G AJF 08 HJ	13/16" -16 UN	3/4"-16 UNF	22	24
G AJF 10 HJ	1" -14 UNS	7/8"-14 UNF	27	30
G AJF 12 HJ	1.3/16" -12 UN	1.1/16" -12 UN	32	36
G AJF 16 HJ	1.7/16" -12 UN	1.5/16" -12 UN	41	41

SW, S1, S2 = With across flats