

G AJF HJOF

Connectors

Properties

Connection 1 ORFS nut threads

Sealing form 1 flat sealing

Connection 2 ORFS external threads

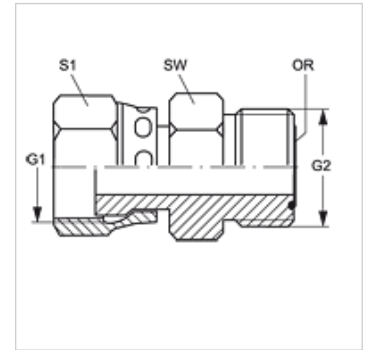
Sealing form 2 flat seal with O-ring

Design Connectors

Construction straight

Material Steel

Surface electro galvanised



Item

Identification	G1	G2	AF (mm)	S1	OR
G AJF 06 HJOF 04	11/16" -16 UN	9/16"-18 UNF	19	22	7.65 x 1.78
G AJF 08 HJOF 04	13/16" -16 UN	9/16"-18 UNF	16	24	7.65 x 1.78
G AJF 08 HJOF 06	13/16" -16 UN	11/16" -16 UN	22	24	9.25 x 1.78
G AJF 10 HJOF 04	1" -14 UNS	9/16"-18 UNF	16	30	7.65 x 1.78
G AJF 10 HJOF 06	1" -14 UNS	11/16" -16 UN	19	30	9.25 x 1.78
G AJF 10 HJOF 08	1" -14 UNS	13/16" -16 UN	22	30	12.42 x 1.78
G AJF 12 HJOF 04	1.3/16" -12 UN	9/16"-18 UNF	16	36	7.65 x 1.78
G AJF 12 HJOF 06	1.3/16" -12 UN	11/16" -16 UN	19	36	9.25 x 1.78
G AJF 12 HJOF 08	1.3/16" -12 UN	13/16" -16 UN	32	36	12.42 x 1.78
G AJF 12 HJOF 10	1.3/16" -12 UN	1" -14 UNS	32	36	15.60 x 1.78
G AJF 16 HJOF 08	1.7/16" -12 UN	13/16" -16 UN	22	41	12.42 x 1.78
G AJF 16 HJOF 10	1.7/16" -12 UN	1" -14 UNS	27	41	15.60 x 1.78
G AJF 16 HJOF 12	1.7/16" -12 UN	1.3/16" -12 UN	41	41	18.77 x 1.78
G AJF 20 HJOF 12	1.11/16" -12 UN	1.3/16" -12 UN	32	50	18.77 x 1.78
G AJF 20 HJOF 16	1.11/16" -12 UN	1.7/16" -12 UN	38	50	23.52 x 1.78
G AJF 24 HJOF 16	2" -12 UN	1.7/16" -12 UN	38	60	23.52 x 1.78
G AJF 24 HJOF 20	2" -12 UN	1.11/16" -12 UN	46	60	29.87 x 1.78

SW, S1, S2 = With across flats

Product versions

G AJF HJOF VA Connectors, Stainless steel