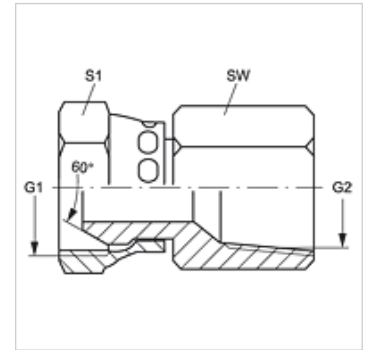


# G AN IN

Screw-on socket

## Properties

<b>Connection 1</b>	NPT nut thread (NPSM)
<b>Sealing form 1</b>	60° outer cone
<b>Connection 2</b>	NPT internal thread
<b>Sealing form 2</b>	thread seal
<b>Design</b>	Screw-on socket
<b>Construction</b>	straight
<b>Material</b>	Steel
<b>Surface</b>	electro galvanised



Item				
Identification	G1	G2	AF (mm)	S1
<b>G AN 02 IN</b>	1/8" -27 NPT	1/8" -27 NPT	14	14
<b>G AN 04 IN</b>	1/4" -18 NPT	1/4" -18 NPT	18	18
<b>G AN 06 IN</b>	3/8" -18 NPT	3/8" -18 NPT	22	22
<b>G AN 06 IN 04</b>	3/8" -18 NPT	1/4" -18 NPT	22	22
<b>G AN 08 IN 06</b>	1/2" -14 NPT	3/8" -18 NPT	25	22
<b>G AN 08 IN</b>	1/2" -14 NPT	1/2" -14 NPT	25	25
<b>G AN 08 IN 12</b>	1/2" -14 NPT	3/4" -14 NPT	32	25
<b>G AN 12 IN</b>	3/4" -14 NPT	3/4" -14 NPT	32	32
<b>G AN 16 IN</b>	1" -11.5 NPT	1" -11.5 NPT	38	38
<b>G AN 20 IN</b>	1.1/4" -11.5 NPT	1.1/4" -11.5 NPT	48	48
<b>G AN 24 IN</b>	1.1/2" -11.5 NPT	1.1/2" -11.5 NPT	54	54
<b>G AN 32 IN</b>	2" -11.5 NPT	2" -11.5 NPT	67	67

SW, S1, S2 = With across flats