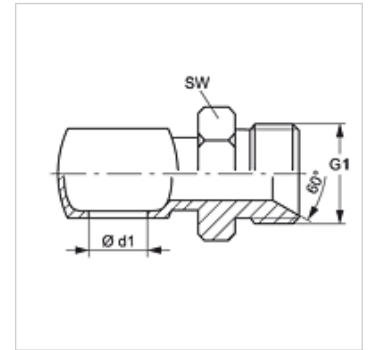


Properties

Connection 1	Metric banjos
Connection 2	metric cylindrical outer thread
Sealing form 2	60° inner cone
Design	Connection sockets
Construction	straight
Material	Steel
Surface	electro galvanised



Item

Identification	G1	Ø d1 (mm)	for hollow screw	AF (mm)
GB 02 H	M 10 x 1	8	M 8	14
GB 04 H	M 12 x 1.5	10	M 10	17
GB 04 H 06	M 14 x 1.5	10	M 10	19
GB 06 H	M 14 x 1.5	12	M 12	19
GB 08 H 06	M 14 x 1.5	14	M 14	19
GB 08 H	M 16 x 1.5	14	M 14	22
GB 10 H	M 18 x 1.5	16	M 16	24
GB 13 H	M 22 x 1.5	18	M 18	27
GB 16 H	M 26 x 1.5	22	M 22	27
GB 20 H	M 30 x 1.5	26	M 26	36
GB 25 H	M 38 x 1.5	30	M 30	41

AF = Width across flats