

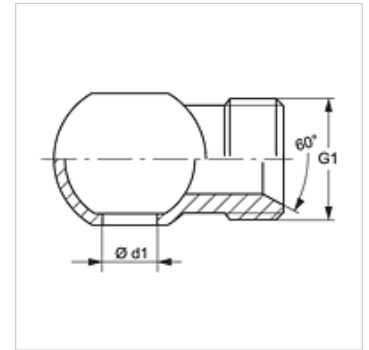
G BR HB

Connectors, banjo

HANSA FLEX

Properties

Connection 1	imperial banjo
Connection 2	BSP cylindrical external threads
Sealing form 2	60° inner cone
Design	Connectors, ring thread piece
Construction	straight
Material	Steel
Surface	electro galvanised



Item

Identification	G1	Ø d1 (mm)	for hollow screw
G BR 02 HB	G 1/8" -28	9,8	R 1/8"
G BR 04 HB	G 1/4" -19	13,2	R 1/4"
G BR 06 HB	G 3/8" -19	16,7	R 3/8"
G BR 08 HB	G 1/2" -14	21,0	R 1/2"
G BR 10 HB	G 5/8" -14	23,0	R 5/8"
G BR 12 HB	G 3/4" -14	26,5	R 3/4"