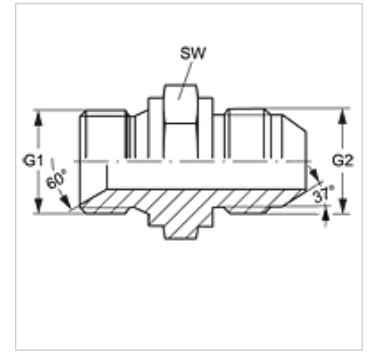


G HB HJ

Connection sockets

Properties

| | |
|-----------------------|----------------------------------|
| Sealing form 1 | 60° inner cone |
| Connection 1 | BSP external thread, cylindrical |
| Connection 2 | UN/UNF external threads |
| Sealing form 2 | 74° outer cone |
| Design | Connection sockets |
| Construction | straight |
| Material | Steel |
| Surface | electro galvanised |



Item

| Identification | G1 | G2 | AF (mm) |
|----------------|--------------|----------------|------------|
| G HB 02 HJ 10 | G 1/8" -28 | 7/8"-14 UNF | 24 |
| G HB 04 HJ 10 | G 1/4" -19 | 7/8"-14 UNF | 24 |
| G HB 08 HJ 05 | G 1/2" -14 | 1/2"-20 UNF | 27 |
| G HB 08 HJ 14 | G 1/2" -14 | 1.3/16" -12 UN | 32 |
| G HB 08 HJ 16 | G 1/2" -14 | 1.5/16" -12 UN | 41 |
| G HB 10 HJ 08 | G 5/8" -14 | 3/4"-16 UNF | 27 |
| G HB 10 HJ | G 5/8" -14 | 7/8"-14 UNF | 27 |
| G HB 10 HJ 12 | G 5/8" -14 | 1.1/16" -12 UN | 32 |
| G HB 10 HJ 16 | G 5/8" -14 | 1.5/16" -12 UN | 41 |
| G HB 12 HJ 06 | G 3/4" -14 | 9/16"-18 UNF | 32 |
| G HB 12 HJ 14 | G 3/4" -14 | 1.3/16" -12 UN | 32 |
| G HB 12 HJ 20 | G 3/4" -14 | 1.5/8" -12 UN | 50 |
| G HB 16 HJ 08 | G 1" -11 | 3/4"-16 UNF | 41 |
| G HB 16 HJ 10 | G 1" -11 | 7/8"-14 UNF | 41 |
| G HB 16 HJ 14 | G 1" -11 | 1.3/16" -12 UN | 41 |
| G HB 20 HJ 12 | G 1.1/4" -11 | 1.1/16" -12 UN | 50 |
| G HB 24 HJ 16 | G 1.1/2" -11 | 1.5/16" -12 UN | 55 |
| G HB 24 HJ 32 | G 1.1/2" -11 | 2.1/2" -12 UN | 60 |
| G HB 32 HJ 24 | G 2" -11 | 1.7/8" -12 UN | 60 |
| G HB 32 HJ | G 2" -11 | 2.1/2" -12 UN | 60 |

AF = Width across flats