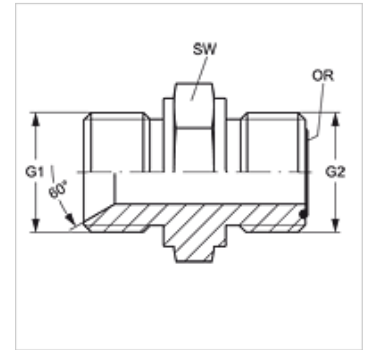


G HB HJOF

Connection sockets

Properties

Connection 1	BSP external thread, cylindrical
Sealing form 1	60° inner cone
Connection 2	ORFS external threads
Sealing form 2	flat seal with O-ring
Design	Connection sockets
Construction	straight
Material	Steel
Surface	electro galvanised



Item				
Identification	G1	G2	AF (mm)	OR
G HB 16 HJOF 12	G 1" -11	1.3/16" -12 UN	41	18.77 x 1.78

AF = Width across flats