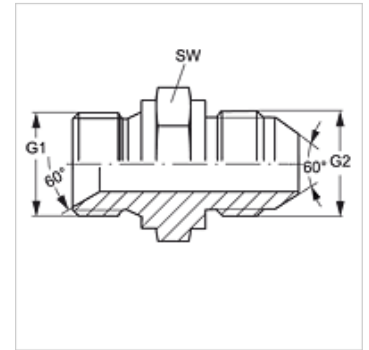


G HB HJR

Screw-in sockets

Properties

Connection 1	BSP external thread, cylindrical
Sealing form 1	60° inner cone
Connection 2	BSP cylindrical external threads
Sealing form 2	60° outer cone
Design	Screw-in sockets
Construction	straight
Standard connection 2	JIS B 8363
Material	Steel
Surface	electro galvanised



Item

Identification	G1 + G2	AF (mm)
G HB 04 HJR	G 1/4" -19	19
G HB 06 HJR	G 3/8" -19	22
G HB 08 HJR	G 1/2" -14	27
G HB 12 HJR	G 3/4" -14	32
G HB 16 HJR	G 1" -11	41

AF = Width across flats