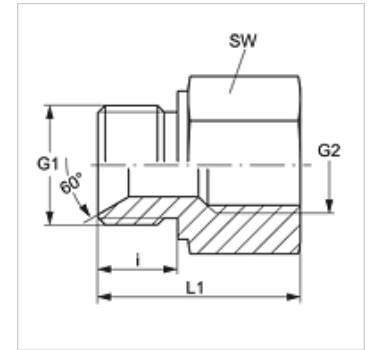


G HB IR

Screw-on socket

Properties

| | |
|-----------------------|----------------------------------|
| Connection 1 | BSP external thread, cylindrical |
| Sealing form 1 | 60° inner cone |
| Connection 2 | BSP cylindrical internal threads |
| Sealing form 2 | Flat seal |
| Design | Screw-on socket |
| Construction | straight |
| Material | Steel |
| Surface | electro galvanised |



Item

| Identification | G1 | G2 | AF (mm) |
|----------------|--------------|--------------|------------|
| G HB 02 IR | G 1/8" -28 | G 1/8" -28 | 17 |
| G HB 02 IR 04 | G 1/8" -28 | G 1/4" -19 | 19 |
| G HB 04 IR 02 | G 1/4" -19 | G 1/8" -28 | 19 |
| G HB 04 IR | G 1/4" -19 | G 1/4" -19 | 19 |
| G HB 04 IR 06 | G 1/4" -19 | G 3/8" -19 | 24 |
| G HB 04 IR 08 | G 1/4" -19 | G 1/2" -14 | 27 |
| G HB 06 IR 02 | G 3/8" -19 | G 1/8" -28 | 24 |
| G HB 06 IR 04 | G 3/8" -19 | G 1/4" -19 | 22 |
| G HB 06 IR | G 3/8" -19 | G 3/8" -19 | 24 |
| G HB 06 IR 08 | G 3/8" -19 | G 1/2" -14 | 27 |
| G HB 08 IR 02 | G 1/2" -14 | G 1/8" -28 | 27 |
| G HB 08 IR 04 | G 1/2" -14 | G 1/4" -19 | 27 |
| G HB 08 IR 06 | G 1/2" -14 | G 3/8" -19 | 27 |
| G HB 08 IR | G 1/2" -14 | G 1/2" -14 | 27 |
| G HB 08 IR 12 | G 1/2" -14 | G 3/4" -14 | 36 |
| G HB 12 IR 04 | G 3/4" -14 | G 1/4" -19 | 32 |
| G HB 12 IR 06 | G 3/4" -14 | G 3/8" -19 | 32 |
| G HB 12 IR 08 | G 3/4" -14 | G 1/2" -14 | 32 |
| G HB 12 IR | G 3/4" -14 | G 3/4" -14 | 36 |
| G HB 12 IR 16 | G 3/4" -14 | G 1" -11 | 41 |
| G HB 16 IR 06 | G 1" -11 | G 3/8" -19 | 41 |
| G HB 16 IR 08 | G 1" -11 | G 1/2" -14 | 41 |
| G HB 16 IR 12 | G 1" -11 | G 3/4" -14 | 41 |
| G HB 16 IR | G 1" -11 | G 1" -11 | 41 |
| G HB 16 IR 20 | G 1" -11 | G 1.1/4" -11 | 50 |
| G HB 20 IR 04 | G 1.1/4" -11 | G 1/4" -19 | 50 |
| G HB 20 IR 08 | G 1.1/4" -11 | G 1/2" -14 | 50 |
| G HB 20 IR 12 | G 1.1/4" -11 | G 3/4" -14 | 50 |
| G HB 20 IR 16 | G 1.1/4" -11 | G 1" -11 | 41 |
| G HB 20 IR | G 1.1/4" -11 | G 1.1/4" -11 | 50 |
| G HB 20 IR 24 | G 1.1/4" -11 | G 1.1/2" -11 | 55 |
| G HB 24 IR 12 | G 1.1/2" -11 | G 3/4" -14 | 55 |
| G HB 24 IR 20 | G 1.1/2" -11 | G 1.1/4" -11 | 55 |
| G HB 24 IR | G 1.1/2" -11 | G 1.1/2" -11 | 55 |
| G HB 24 IR 16 | G 1.1/2" -11 | G 1" -11 | 55 |
| G HB 24 IR 32 | G 1.1/2" -11 | G 2" -11 | 70 |
| G HB 32 IR 16 | G 2" -11 | G 1" -11 | 70 |
| G HB 32 IR 20 | G 2" -11 | G 1.1/4" -11 | 70 |
| G HB 32 IR 24 | G 2" -11 | G 1.1/2" -11 | 70 |
| G HB 32 IR | G 2" -11 | G 2" -11 | 70 |

AF = Width across flats

Product versions

G HB IR VA Screw-on socket, Stainless steel