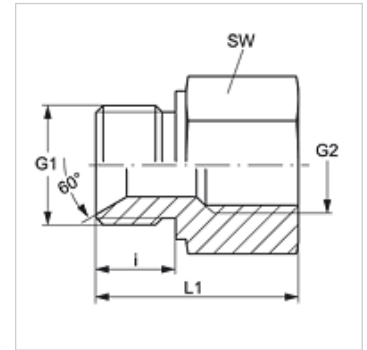


G HB IR VA

Screw-on socket

Properties

Connection 1	BSP external thread, cylindrical
Sealing form 1	60° inner cone
Connection 2	BSP cylindrical internal threads
Sealing form 2	Flat seal
Design	Screw-on socket
Construction	straight
Material	Stainless steel



Item

Identification	G1	G2	AF (mm)
G HB 02 IR VA	G 1/8" -28	G 1/8" -28	17
G HB 04 IR VA	G 1/4" -19	G 1/4" -19	19
G HB 06 IR VA	G 3/8" -19	G 3/8" -19	24
G HB 08 IR VA	G 1/2" -14	G 1/2" -14	27
G HB 12 IR VA	G 3/4" -14	G 3/4" -14	32
G HB 16 IR VA	G 1" -11	G 1" -11	41
G HB 20 IR VA	G 1.1/4" -11	G 1.1/4" -11	50
G HB 24 IR VA	G 1.1/2" -11	G 1.1/2" -11	55
G HB 32 IR VA	G 2" -11	G 2" -11	70

AF = Width across flats

Product versions

G HB IR Screw-on socket, Steel