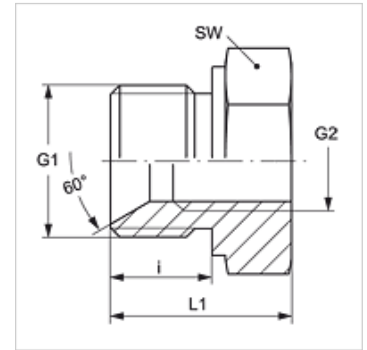


G HB IR L

Screw-on socket

Properties

Connection 1	BSP external thread, cylindrical
Sealing form 1	60° inner cone
Connection 2	BSP cylindrical internal threads
Sealing form 2	Flat seal
Design	Screw-on socket, long
Construction	straight
Material	Steel
Surface	electro galvanised



Item

Identification	G1	G2	i (mm)	L1 (mm)	AF (mm)
G HB 06 IR 04 L	G 3/8" -19	G 1/4" -19	12,0	30,5	22
G HB 08 IR 06 L	G 1/2" -14	G 3/8" -19	16,0	38,0	30
G HB 16 IR 08 L	G 1" -11	G 1/2" -14	19,0	50,0	41
G HB 16 IR 12 L	G 1" -11	G 3/4" -14	20,5	47,5	41
G HB 20 IR 16 L	G 1.1/4" -11	G 1" -11	20,0	48,0	50
G HB 24 IR 20 L	G 1.1/2" -11	G 1.1/4" -11	22,0	54,5	55

AF = Width across flats