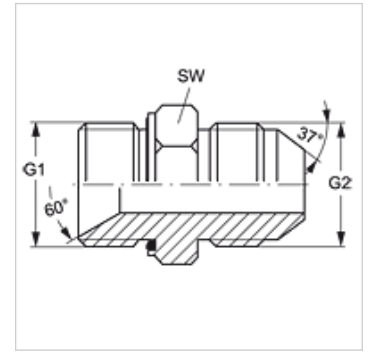


# G HBED HJ

## Connection sockets

### Properties

<b>Sealing form 1</b>	60° inner cone + shape E
<b>Connection 1</b>	BSP external thread, cylindrical
<b>Connection 2</b>	UN/UNF external threads
<b>Sealing form 2</b>	74° outer cone
<b>Design</b>	Connection sockets
<b>Construction</b>	straight
<b>Material</b>	Steel
<b>Surface</b>	electro galvanised



### Item

Identification	G1	G2	AF (mm)
<b>G HBED 12 HJ 14</b>	G 3/4" -14	1.3/16" -12 UN	32
<b>G HBED 20 HJ 12</b>	G 1.1/4" -11	1.1/16" -12 UN	50

AF = Width across flats

### Product versions

<b>G HBED HJ VA</b>	Connection sockets, Stainless steel
---------------------	-------------------------------------

### Spare parts

<b>WD</b>	Soft seal for ED fittings
-----------	---------------------------