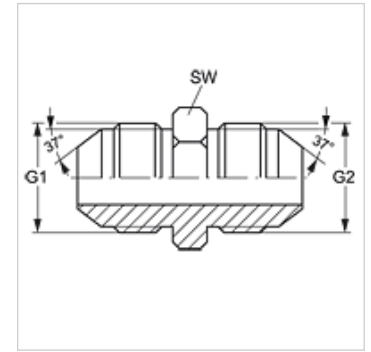


Properties

Connection 1	UN/UNF external threads
Sealing form 1	74° outer cone
Connection 2	UN/UNF external threads
Sealing form 2	74° outer cone
Design	Connection sockets
Construction	straight
Material	Steel
Surface	electro galvanised



Item

Identification	G1	G2	AF (mm)
G HJ 03	3/8"-24 UNF	3/8"-24 UNF	12
G HJ 03 HJ 04	3/8"-24 UNF	7/16"-20 UNF	12
G HJ 04	7/16"-20 UNF	7/16"-20 UNF	12
G HJ 04 HJ 05	7/16"-20 UNF	1/2"-20 UNF	14
G HJ 04 HJ 06	7/16"-20 UNF	9/16"-18 UNF	17
G HJ 04 HJ 08	7/16"-20 UNF	3/4"-16 UNF	19
G HJ 04 HJ 10	7/16"-20 UNF	7/8"-14 UNF	24
G HJ 05	1/2"-20 UNF	1/2"-20 UNF	14
G HJ 05 HJ 06	1/2"-20 UNF	9/16"-18 UNF	17
G HJ 05 HJ 08	1/2"-20 UNF	3/4"-16 UNF	19
G HJ 05 HJ 10	1/2"-20 UNF	7/8"-14 UNF	24
G HJ 06	9/16"-18 UNF	9/16"-18 UNF	17
G HJ 06 HJ 08	9/16"-18 UNF	3/4"-16 UNF	19
G HJ 06 HJ 10	9/16"-18 UNF	7/8"-14 UNF	24
G HJ 06 HJ 12	9/16"-18 UNF	1.1/16" -12 UN	27
G HJ 08	3/4"-16 UNF	3/4"-16 UNF	19
G HJ 08 HJ 10	3/4"-16 UNF	7/8"-14 UNF	24
G HJ 08 HJ 12	3/4"-16 UNF	1.1/16" -12 UN	27
G HJ 08 HJ 16	3/4"-16 UNF	1.5/16" -12 UN	36
G HJ 10	7/8" -14 UNF	7/8"-14 UNF	24
G HJ 10 HJ 12	7/8" -14 UNF	1.1/16" -12 UN	27
G HJ 10 HJ 16	7/8" -14 UNF	1.5/16" -12 UN	36
G HJ 12	1.1/16" -12 UN	1.1/16" -12 UN	27
G HJ 12 HJ 14	1.1/16" -12 UN	1.3/16" -12 UN	32
G HJ 12 HJ 16	1.1/16" -12 UN	1.5/16" -12 UN	36
G HJ 12 HJ 20	1.1/16" -12 UN	1.5/8" -12 UN	46
G HJ 14	1.3/16" -12 UN	1.3/16" -12 UN	32
G HJ 14 HJ 16	1.3/16" -12 UN	1.5/16" -12 UN	36
G HJ 16	1.5/16" -12 UN	1.5/16" -12 UN	36
G HJ 16 HJ 20	1.5/16" -12 UN	1.5/8" -12 UN	46
G HJ 16 HJ 24	1.5/16" -12 UN	1.7/8" -12 UN	50
G HJ 20	1.5/8" -12 UN	1.5/8" -12 UN	46
G HJ 20 HJ 24	1.5/8" -12 UN	1.7/8" -12 UN	50
G HJ 24	1.7/8" -12 UN	1.7/8" -12 UN	50
G HJ 32	2.1/2" -12 UN	2.1/2" -12 UN	65

AF = Width across flats

Product versions

G HJ VA	Connection sockets, Stainless steel
----------------	-------------------------------------