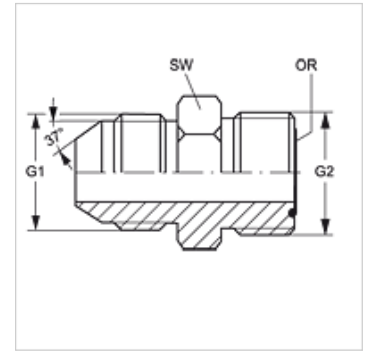


G HJ HJOF

Connection sockets

Properties

Connection 1	UN/UNF external threads
Sealing form 1	74° outer cone
Connection 2	ORFS external threads
Sealing form 2	flat seal with O-ring
Design	Connection sockets
Construction	straight
Material	Steel
Surface	electro galvanised



Item

Identification	G1	G2	AF (mm)	OR
G HJ 04 HJOF	7/16"-20 UNF	9/16"-18 UNF	16	7.65 x 1.78
G HJ 05 HJOF 06	1/2"-20 UNF	11/16" -16 UN	19	9.25 x 1.78
G HJ 06 HJOF	9/16"-18 UNF	11/16" -16 UN	19	9.25 x 1.78
G HJ 08 HJOF	3/4"-16 UNF	13/16" -16 UN	22	12.42 x 1.78
G HJ 10 HJOF	7/8" -14 UNF	1" -14 UNS	27	15.60 x 1.78
G HJ 12 HJOF	1.1/16" -12 UN	1.3/16" -12 UN	32	18.77 x 1.78
G HJ 16 HJOF	1.5/16" -12 UN	1.7/16" -12 UN	38	23.52 x 1.78
G HJ 20 HJOF	1.5/8" -12 UN	1.11/16" -12 UN	45	29.87 x 1.78
G HJ 24 HJOF	1.7/8" -12 UN	2" -12 UN	54	37.82 x 1.78

AF = Width across flats