

G HJ VA

Connection sockets

Properties

Connection 1 UN/UNF external threads

Sealing form 1 74° outer cone

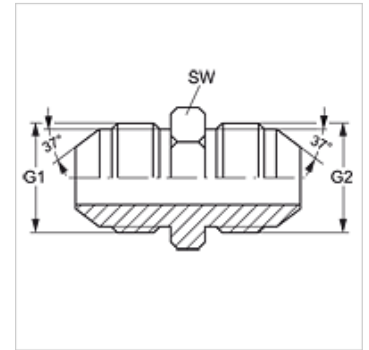
Connection 2 UN/UNF external threads

Sealing form 2 74° outer cone

Design Connection sockets

Construction straight

Material Stainless steel



Item

Identification	G1 + G2	AF (mm)
G HJ 04 VA	7/16"-20 UNF	12
G HJ 05 VA	1/2"-20 UNF	14
G HJ 06 VA	9/16"-18 UNF	17
G HJ 08 VA	3/4"-16 UNF	19
G HJ 10 VA	7/8"-14 UNF	24
G HJ 12 VA	1.1/16" -12 UN	27
G HJ 16 VA	1.5/16" -12 UN	36
G HJ 20 VA	1.5/8" -12 UN	46
G HJ 24 VA	1.7/8" -12 UN	50

AF = Width across flats

Product versions

G HJ Connection sockets, Steel