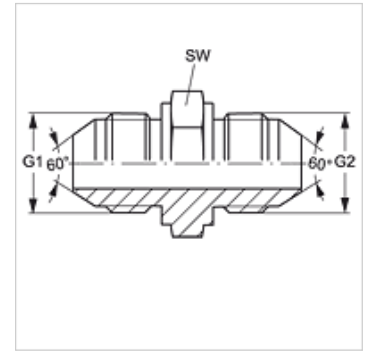


Properties

Connection 1	metric cylindrical outer thread
Sealing form 1	60° outer cone
Connection 2	metric cylindrical outer thread
Sealing form 2	60° outer cone
Design	Connection sockets
Construction	straight
Material	Steel
Surface	electro galvanised



Item

Identification	G1 + G2	AF (mm)
G NW 06 HJL	M 14 x 1.5	19
G NW 08 HJL	M 16 x 1.5	22
G NW 10 HJL	M 18 x 1.5	22
G NW 13 HJL	M 22 x 1.5	27
G NW 16 HJL	M 24 x 1.5	32
G NW 20 HJL	M 30 x 1.5	37
G NW 25 HJL	M 33 x 1.5	41

AF = Width across flats