

G HJOF

Connection sockets

Properties

Connection 1 ORFS external threads

Sealing form 1 flat seal with O-ring

Connection 2 ORFS external threads

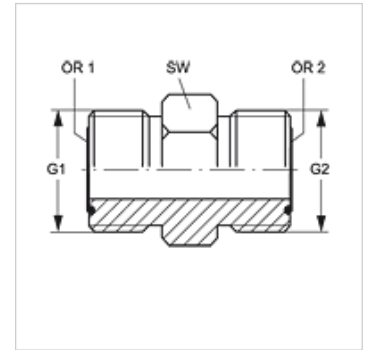
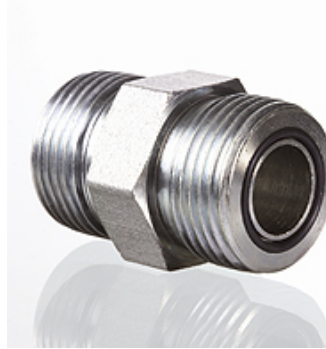
Sealing form 2 flat seal with O-ring

Design Connection sockets

Construction straight

Material Steel

Surface electro galvanised



Item

Identification	G1	G2	AF (mm)	OR1	OR2
G HJOF 04	9/16"-18 UNF	9/16"-18 UNF	16	7.65 x 1.78	7.65 x 1.78
G HJOF 04 HJOF 06	9/16"-18 UNF	11/16" -16 UN	19	7.65 x 1.78	9.25 x 1.78
G HJOF 06	11/16" -16 UN	11/16" -16 UN	19	9.25 x 1.78	9.25 x 1.78
G HJOF 06 HJOF 08	11/16" -16 UN	13/16" -16 UN	22	9.25 x 1.78	12.42 x 1.78
G HJOF 08	13/16" -16 UN	13/16" -16 UN	22	12.42 x 1.78	12.42 x 1.78
G HJOF 08 HJOF 10	13/16" -16 UN	1" -14 UNS	27	12.42 x 1.78	15.60 x 1.78
G HJOF 10	1" -14 UNS	1" -14 UNS	27	15.60 x 1.78	15.60 x 1.78
G HJOF 10 HJOF 12	1" -14 UNS	1.3/16" -12 UN	32	15.60 x 1.78	18.77 x 1.78
G HJOF 12	1.3/16" -12 UN	1.3/16" -12 UN	32	18.77 x 1.78	18.77 x 1.78
G HJOF 12 HJOF 16	1.3/16" -12 UN	1.7/16" -12 UN	41	18.77 x 1.78	23.52 x 1.78
G HJOF 16	1.7/16" -12 UN	1.7/16" -12 UN	38	23.52 x 1.78	23.52 x 1.78
G HJOF 16 HJOF 20	1.7/16" -12 UN	1.11/16" -12 UN	46	23.52 x 1.78	29.87 x 1.78
G HJOF 20	1.11/16" -12 UN	1.11/16" -12 UN	46	29.87 x 1.78	29.87 x 1.78
G HJOF 24	2" -12 UN	2" -12 UN	55	37.82 x 1.78	37.82 x 1.78
G HJOF 32	2.1/2" -12 UN	2.1/2" -12 UN	70	48.90 x 2.62	48.90 x 2.62

AF = Width across flats

Product versions

G HJOF VA Connection sockets, Stainless steel