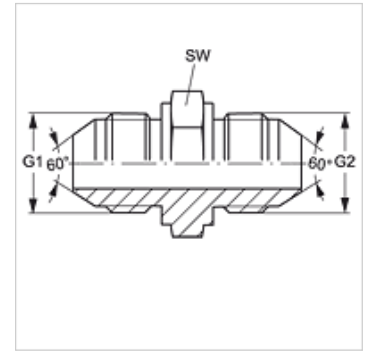


G HJR

Connection sockets

Properties

| | |
|------------------------------|----------------------------------|
| Connection 1 | BSP external thread, cylindrical |
| Sealing form 1 | 60° outer cone |
| Connection 2 | BSP cylindrical external threads |
| Sealing form 2 | 60° outer cone |
| Design | Connection sockets |
| Construction | straight |
| Standard connection 2 | JIS B 8363 |
| Material | Steel |
| Surface | electro galvanised |



Item

| Identification | G1 + G2 | AF (mm) |
|-----------------|------------|------------|
| G HJR 04 | G 1/4" -19 | 19 |
| G HJR 06 | G 3/8" -19 | 22 |
| G HJR 08 | G 1/2" -14 | 27 |
| G HJR 12 | G 3/4" -14 | 32 |
| G HJR 16 | G 1" -11 | 41 |

AF = Width across flats