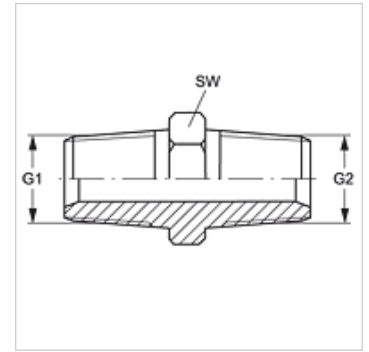


G HN VA

Connection sockets

Properties

Connection 1	NPT external threads
Sealing form 1	thread seal
Connection 2	NPT external threads
Sealing form 2	thread seal
Design	Connection sockets
Construction	straight
Material	Stainless steel



Item

Identification	G1	G2	AF (mm)
G HN 02 VA	1/8" -27 NPT	1/8" -27 NPT	12
G 04 HN 02 VA	1/4" -18 NPT	1/8" -27 NPT	16
G HN 04 VA	1/4" -18 NPT	1/4" -18 NPT	14
G 06 HN 02 VA	3/8" -18 NPT	1/8" -27 NPT	19
G 06 HN 04 VA	3/8" -18 NPT	1/4" -18 NPT	19
G HN 06 VA	3/8" -18 NPT	3/8" -18 NPT	19
G 08 HN 04 VA	1/2" -14 NPT	1/4" -18 NPT	22
G 08 HN 06 VA	1/2" -14 NPT	3/8" -18 NPT	22
G HN 08 VA	1/2" -14 NPT	1/2" -14 NPT	22
G 12 HN 08 VA	3/4" -14 NPT	1/2" -14 NPT	29
G HN 12 VA	3/4" -14 NPT	3/4" -14 NPT	27
G 16 HN 08 VA	1" -11.5 NPT	1/2" -14 NPT	35
G 16 HN 12 VA	1" -11.5 NPT	3/4" -14 NPT	36
G HN 16 VA	1" -11.5 NPT	1" -11.5 NPT	36
G HN 20 VA	1.1/4" -11.5 NPT	1.1/4" -11.5 NPT	46
G HN 24 VA	1.1/2" -11.5 NPT	1.1/2" -11.5 NPT	50
G HN 32 VA	2" -11.5 NPT	2" -11.5 NPT	65

AF = Width across flats

Product versions

G HN	Connection sockets, Steel
-------------	---------------------------