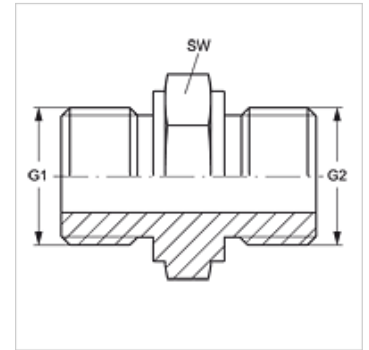


G HR VA

Screw-in sockets

Properties

Connection 1	BSP external thread, cylindrical
Sealing form 1	flat seal + shape B
Connection 2	BSP cylindrical external threads
Sealing form 2	flat seal + shape B
Design	Screw-in sockets
Construction	straight
Material	Stainless steel



Item

Identification	G1 + G2	AF (mm)
G HR 02 VA	G 1/8" -28	14
G HR 04 VA	G 1/4" -19	19
G HR 06 VA	G 3/8" -19	22
G HR 08 VA	G 1/2" -14	27
G HR 10 VA	G 5/8" -14	30
G HR 12 VA	G 3/4" -14	32
G HR 16 VA	G 1" -11	41
G HR 20 VA	G 1.1/4" -11	50
G HR 24 VA	G 1.1/2" -11	55
G HR 32 VA	G 2" -11	70

AF = Width across flats