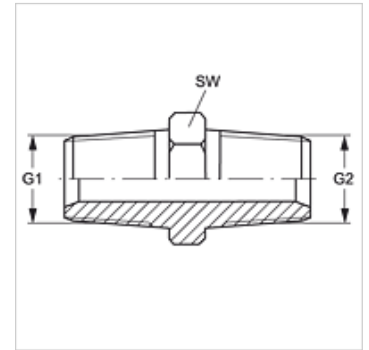


G HRK

Screw-in sockets

Properties

Connection 1	BSPT conical external threads
Sealing form 1	thread seal
Connection 2	BSPT conical external threads
Sealing form 2	thread seal
Design	Screw-in sockets
Construction	straight
Material	Steel
Surface	electro galvanised



Item

Identification	G1	G2	AF (mm)
G HRK 02	R 1/8" K	R 1/8" K	12
G 02 HRK 04	R 1/8" K	R 1/4" K	14
G 02 HRK 06	R 1/8" K	R 3/8" K	17
G HRK 04	R 1/4" K	R 1/4" K	14
G 04 HRK 06	R 1/4" K	R 3/8" K	17
G 04 HRK 08	R 1/4" K	R 1/2" K	22
G HRK 06	R 3/8" K	R 3/8" K	17
G 06 HRK 08	R 3/8" K	R 1/2" K	22
G 06 HRK 12	R 3/8" K	R 3/4" K	27
G 06 HRK 16	R 3/8" K	R 1" K	36
G HRK 08	R 1/2" K	R 1/2" K	22
G 08 HRK 10	R 1/2" K	R 5/8" K	24
G 08 HRK 12	R 1/2" K	R 3/4" K	27
G 08 HRK 16	R 1/2" K	R 1" K	36
G HRK 10	R 5/8" K	R 5/8" K	24
G HRK 12	R 3/4" K	R 3/4" K	27
G 12 HRK 16	R 3/4" K	R 1" K	36
G HRK 16	R 1" K	R 1" K	36
G 16 HRK 20	R 1" K	R 1.1/4" K	46
G HRK 20	R 1.1/4" K	R 1.1/4" K	46
G 20 HRK 24	R 1.1/4" K	R 1.1/2" K	50
G HRK 24	R 1.1/2" K	R 1.1/2" K	50
G 24 HRK 32	R 1.1/2" K	R 2" K	65
G HRK 32	R 2" K	R 2" K	65

AF = Width across flats

Product versions

G HRK VA	Screw-in sockets, Stainless steel
-----------------	-----------------------------------