

# G HSA

## Connection sockets

### Properties

**Connection 1** UN/UNF external threads

**Sealing form 1** 45° outer cone

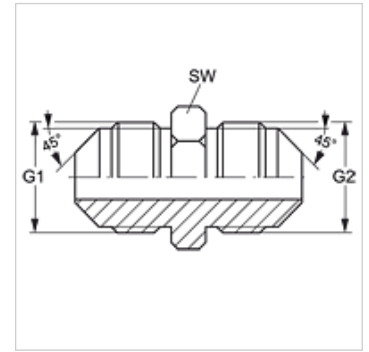
**Connection 2** UN/UNF external threads

**Sealing form 2** 45° outer cone

**Design** Connection sockets

**Construction** straight

**Material** Brass



### Item

Identification	G1 + G2	AF (mm)
<b>G HSA 06</b>	5/8"-18 UNF	16

AF = Width across flats