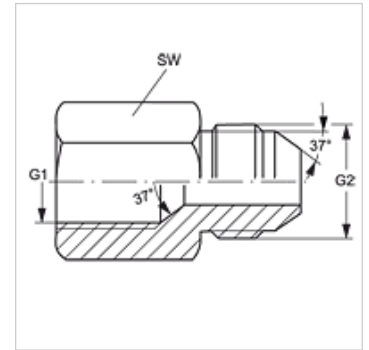
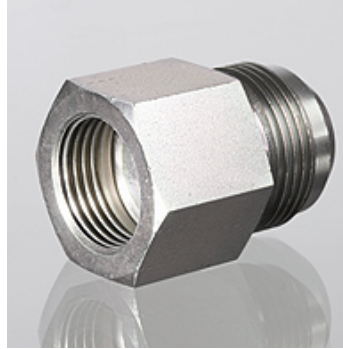


Properties

Connection 1	UN/UNF inner thread
Sealing form 1	74° inner cone
Connection 2	UN/UNF external threads
Sealing form 2	74° outer cone
Design	Connectors
Construction	straight
Material	Steel
Surface	electro galvanised



Item

Identification	G1	G2	AF (mm)
G IJ 04 HJ 06	7/16"-20 UNF	9/16"-18 UNF	17
G IJ 04 HJ 08	7/16"-20 UNF	3/4"-16 UNF	22
G IJ 04 HJ 10	7/16"-20 UNF	7/8"-14 UNF	24
G IJ 05 HJ 04	1/2"-20 UNF	7/16"-20 UNF	17
G IJ 05 HJ 06	1/2"-20 UNF	9/16"-18 UNF	17
G IJ 05 HJ 08	1/2"-20 UNF	3/4"-16 UNF	17
G IJ 06 HJ 04	9/16"-18 UNF	7/16"-20 UNF	19
G IJ 06 HJ 05	9/16"-18 UNF	1/2"-20 UNF	19
G IJ 06 HJ 08	9/16"-18 UNF	3/4"-16 UNF	19
G IJ 08 HJ 04	3/4"-16 UNF	7/16"-20 UNF	22
G IJ 08 HJ 06	3/4"-16 UNF	9/16"-18 UNF	22
G IJ 08 HJ 10	3/4"-16 UNF	7/8"-14 UNF	24
G IJ 08 HJ 12	3/4"-16 UNF	1.1/16" -12 UN	22
G IJ 10 HJ 04	7/8" -14 UNF	7/16"-20 UNF	27
G IJ 10 HJ 06	7/8" -14 UNF	9/16"-18 UNF	27
G IJ 10 HJ 08	7/8" -14 UNF	3/4"-16 UNF	27
G IJ 12 HJ 04	1.1/16" -12 UN	7/16"-20 UNF	32
G IJ 12 HJ 06	1.1/16" -12 UN	9/16"-18 UNF	32
G IJ 12 HJ 08	1.1/16" -12 UN	3/4"-16 UNF	32
G IJ 12 HJ 10	1.1/16" -12 UN	7/8"-14 UNF	32
G IJ 16 HJ 08	1.5/16" -12 UN	3/4"-16 UNF	41
G IJ 16 HJ 10	1.5/16" -12 UN	7/8"-14 UNF	41
G IJ 16 HJ 12	1.5/16" -12 UN	1.1/16" -12 UN	41
G IJ 20 HJ 12	1.5/8" -12 UN	1.1/16" -12 UN	50
G IJ 20 HJ 16	1.5/8" -12 UN	1.5/16" -12 UN	50
G IJ 24 HJ 20	1.7/8" -12 UN	1.5/8" -12 UN	60
G IJ 32 HJ 24	2.1/2" -12 UN	1.7/8" -12 UN	75

AF = Width across flats