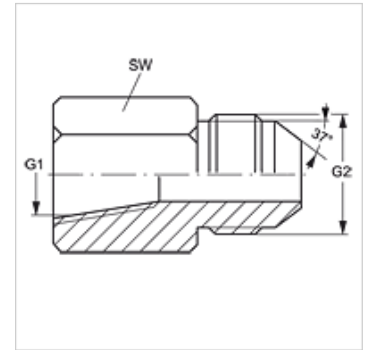


# G IN HJ

## Connection sockets

### Properties

<b>Connection 1</b>	NPT internal thread
<b>Sealing form 1</b>	thread seal
<b>Connection 2</b>	UN/UNF external threads
<b>Sealing form 2</b>	74° outer cone
<b>Design</b>	Connection sockets
<b>Construction</b>	straight
<b>Material</b>	Steel
<b>Surface</b>	electro galvanised



### Item

Identification	G1	G2	AF (mm)
G IN 02 HJ 04	1/8" -27 NPT	7/16"-20 UNF	14
G IN 02 HJ 05	1/8" -27 NPT	1/2"-20 UNF	14
G IN 04 HJ	1/4" -18 NPT	7/16"-20 UNF	19
G IN 04 HJ 05	1/4" -18 NPT	1/2"-20 UNF	19
G IN 04 HJ 06	1/4" -18 NPT	9/16"-18 UNF	19
G IN 04 HJ 08	1/4" -18 NPT	3/4"-16 UNF	21
G IN 06 HJ	3/8" -18 NPT	9/16"-18 UNF	22
G IN 06 HJ 08	3/8" -18 NPT	3/4"-16 UNF	22
G IN 06 HJ 10	3/8" -18 NPT	7/8"-14 UNF	29
G IN 08 HJ	1/2" -14 NPT	3/4"-16 UNF	29
G IN 08 HJ 10	1/2" -14 NPT	7/8"-14 UNF	29
G IN 08 HJ 12	1/2" -14 NPT	1.1/16" -12 UN	29
G IN 12 HJ	3/4" -14 NPT	1.1/16" -12 UN	35
G IN 12 HJ 14	3/4" -14 NPT	1.3/16" -12 UN	35
G IN 16 HJ	1" -11.5 NPT	1.5/16" -12 UN	41
G IN 20 HJ	1.1/4" -11.5 NPT	1.5/8" -12 UN	50
G IN 24 HJ	1.1/2" -11.5 NPT	1.7/8" -12 UN	60
G IN 32 HJ	2" -11.5 NPT	2.1/2" -12 UN	73

AF = Width across flats

### Product versions

<b>G IN HJ VA</b>	Connection sockets, Stainless steel
-------------------	-------------------------------------