

G IN VA

Connection sockets

Properties

Connection 1 NPT internal thread

Sealing form 1 thread seal

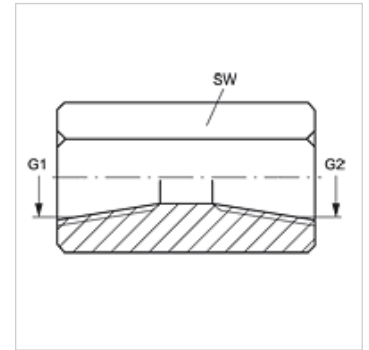
Connection 2 NPT internal thread

Sealing form 2 thread seal

Design Connection sockets

Construction straight

Material Stainless steel



Item

| Identification | G1 | G2 | AF (mm) |
|----------------------|--------------|--------------|------------|
| G IN 02 VA | 1/8" -27 NPT | 1/8" -27 NPT | 16 |
| G IN 04 VA | 1/4" -18 NPT | 1/4" -18 NPT | 19 |
| G 06 IN 04 VA | 3/8" -18 NPT | 1/4" -18 NPT | 22 |
| G IN 06 VA | 3/8" -18 NPT | 3/8" -18 NPT | 22 |
| G 08 IN 06 VA | 1/2" -14 NPT | 3/8" -18 NPT | 29 |
| G IN 08 VA | 1/2" -14 NPT | 1/2" -14 NPT | 30 |
| G 12 IN 04 VA | 3/4" -14 NPT | 1/4" -18 NPT | 35 |
| G IN 12 VA | 3/4" -14 NPT | 3/4" -14 NPT | 36 |
| G IN 16 VA | 1" -11.5 NPT | 1" -11.5 NPT | 41 |

AF = Width across flats

Product versions

G IN Connection sockets, Steel