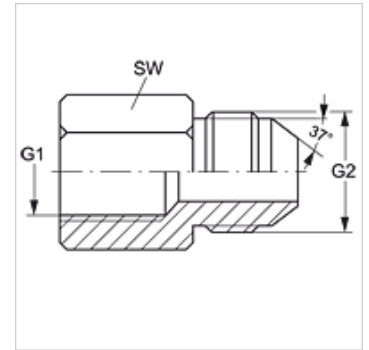


Properties

| | |
|-----------------------|----------------------------------|
| Connection 1 | BSP cylindrical internal threads |
| Sealing form 1 | flat sealing |
| Connection 2 | UN/UNF external threads |
| Sealing form 2 | 74° outer cone |
| Design | Connection sockets |
| Construction | straight |
| Material | Steel |
| Surface | electro galvanised |



Item

| Identification | G1 | G2 | AF (mm) |
|----------------|--------------|----------------|------------|
| G IR 02 HJ 04 | G 1/8" -28 | 7/16"-20 UNF | 16 |
| G IR 02 HJ 05 | G 1/8" -28 | 1/2"-20 UNF | 16 |
| G IR 04 HJ | G 1/4" -19 | 7/16"-20 UNF | 19 |
| G IR 04 HJ 05 | G 1/4" -19 | 1/2"-20 UNF | 19 |
| G IR 04 HJ 06 | G 1/4" -19 | 9/16"-18 UNF | 19 |
| G IR 04 HJ 08 | G 1/4" -19 | 3/4"-16 UNF | 22 |
| G IR 06 HJ | G 3/8" -19 | 9/16"-18 UNF | 22 |
| G IR 06 HJ 08 | G 3/8" -19 | 3/4"-16 UNF | 22 |
| G IR 08 HJ 06 | G 1/2" -14 | 9/16"-18 UNF | 30 |
| G IR 08 HJ | G 1/2" -14 | 3/4"-16 UNF | 30 |
| G IR 08 HJ 10 | G 1/2" -14 | 7/8"-14 UNF | 30 |
| G IR 08 HJ 12 | G 1/2" -14 | 1.1/16" -12 UN | 30 |
| G IR 12 HJ 08 | G 3/4" -14 | 3/4"-16 UNF | 36 |
| G IR 12 HJ | G 3/4" -14 | 1.1/16" -12 UN | 36 |
| G IR 12 HJ 14 | G 3/4" -14 | 1.3/16" -12 UN | 41 |
| G IR 16 HJ | G 1" -11 | 1.5/16" -12 UN | 46 |
| G IR 16 HJ 20 | G 1" -11 | 1.5/8" -12 UN | 50 |
| G IR 20 HJ | G 1.1/4" -11 | 1.5/8" -12 UN | 50 |
| G IR 20 HJ 24 | G 1.1/4" -11 | 1.7/8" -12 UN | 55 |
| G IR 24 HJ | G 1.1/2" -11 | 1.7/8" -12 UN | 55 |
| G IR 32 HJ | G 2" -11 | 2.1/2" -12 UN | 73 |

AF = Width across flats