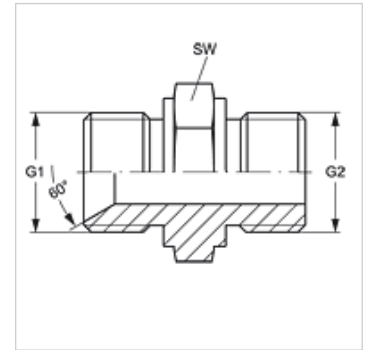


# GE H00M

## Screw-in sockets

### Properties

<b>Connection 1</b>	metric cylindrical outer thread
<b>Sealing form 1</b>	60° inner cone
<b>Connection 2</b>	metric cylindrical outer thread
<b>Sealing form 2</b>	Shape A
<b>Design</b>	Screw-in sockets
<b>Construction</b>	straight
<b>Material</b>	Steel
<b>Surface</b>	electro galvanised



### Item

Identification	G1	G2	AF (mm)
<b>GE H 08 M 16</b>	M 16 x 1.5	M 16 x 1.5	22
<b>GE H 10 M 16</b>	M 18 x 1.5	M 16 x 1.5	22
<b>GE H 13 M 18</b>	M 22 x 1.5	M 18 x 1.5	24
<b>GE H 16 M 22</b>	M 26 x 1.5	M 22 x 1.5	32
<b>GE H 16 M 26</b>	M 26 x 1.5	M 26 x 1.5	32
<b>GE H 20 M 26</b>	M 30 x 1.5	M 26 x 1.5	36

AF = Width across flats