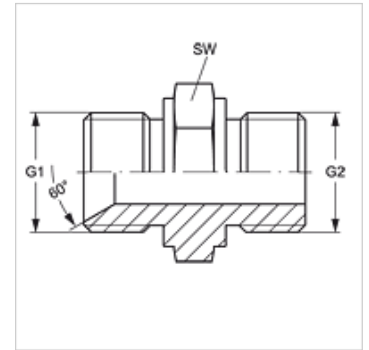
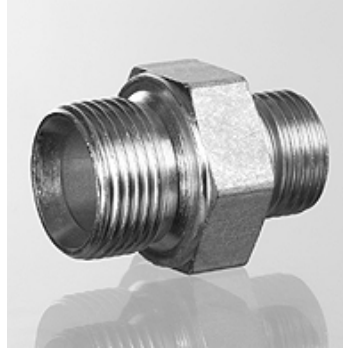


GE H00R

Screw-in sockets

Properties

Connection 1	metric cylindrical outer thread
Sealing form 1	60° inner cone
Connection 2	BSP cylindrical external threads
Sealing form 2	Shape A
Design	Screw-in sockets
Construction	straight
Material	Steel
Surface	electro galvanised



Item

Identification	G1	G2	AF (mm)
GE H 06 R	M 14 x 1.5	G 1/4" -19	19
GE H 08 R 06	M 16 x 1.5	G 1/4" -19	22
GE H 08 R 10	M 16 x 1.5	G 3/8" -19	22
GE H 10 R	M 18 x 1.5	G 3/8" -19	24
GE H 10 R 13	M 18 x 1.5	G 1/2" -14	27
GE H 13 R	M 22 x 1.5	G 1/2" -14	27
GE H 13 R 20	M 22 x 1.5	G 3/4" -14	32
GE H 16 R 13	M 26 x 1.5	G 1/2" -14	27
GE H 16 R 20	M 26 x 1.5	G 3/4" -14	32
GE H 20 R	M 30 x 1.5	G 3/4" -14	32
GE H 20 R 25	M 30 x 1.5	G 1" -11	41
GE H 25 R	M 38 x 1.5	G 1" -11	41
GE H 32 R	M 45 x 1.5	G 1.1/4" -11	50
GE H 40 R	M 52 x 1.5	G 1.1/2" -11	55
GE H 50 R	M 65 x 2	G 2" -11	70
GE H 60 R	M 78 x 2	G 2.1/2" -11	85

AF = Width across flats

Product versions

GE H00R VA Screw-in sockets, Stainless steel