

GE HB HN VA

Screw-in sockets

Properties

Connection 1 BSP external thread, cylindrical

Sealing form 1 60° inner cone

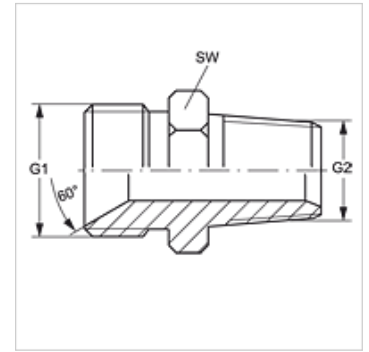
Connection 2 NPT external threads

Sealing form 2 thread seal

Design Screw-in sockets

Construction straight

Material Stainless steel



Item

Identification	G1	G2	AF (mm)
GE HB 02 HN VA	G 1/8" -28	1/8" -27 NPT	14
GE HB 04 HN 02 VA	G 1/4" -19	1/8" -27 NPT	19
GE HB 04 HN VA	G 1/4" -19	1/4" -18 NPT	19
GE HB 04 HN 06 VA	G 1/4" -19	3/8" -18 NPT	19
GE HB 04 HN 08 VA	G 1/4" -19	1/2" -14 NPT	27
GE HB 06 HN VA	G 3/8" -19	3/8" -18 NPT	22
GE HB 06 HN 04 VA	G 3/8" -19	1/4" -18 NPT	22
GE HB 06 HN 08 VA	G 3/8" -19	1/2" -14 NPT	22
GE HB 06 HN 12 VA	G 3/8" -19	3/4" -14 NPT	27
GE HB 08 HN VA	G 1/2" -14	1/2" -14 NPT	27
GE HB 08 HN 04 VA	G 1/2" -14	1/4" -18 NPT	27
GE HB 08 HN 06 VA	G 1/2" -14	3/8" -18 NPT	27
GE HB 08 HN 12 VA	G 1/2" -14	3/4" -14 NPT	27
GE HB 12 HN VA	G 3/4" -14	3/4" -14 NPT	32
GE HB 12 HN 08 VA	G 3/4" -14	1/2" -14 NPT	32
GE HB 16 HN VA	G 1" -11	1" -11.5 NPT	41
GE HB 16 HN 12 VA	G 1" -11	3/4" -14 NPT	41
GE HB 20 HN VA	G 1.1/4" -11	1.1/4" -11.5 NPT	46
GE HB 24 HN VA	G 1.1/2" -11	1.1/2" -11.5 NPT	50
GE HB 32 HN VA	G 2" -11	2" -11.5 NPT	55

AF = Width across flats

Product versions

GE HB HN Screw-in sockets, Steel