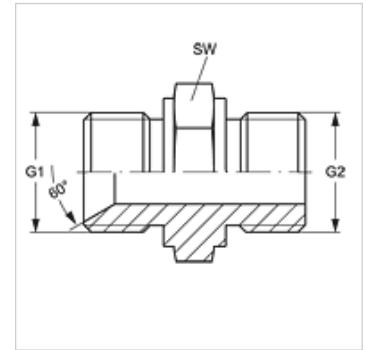


# GE HB HR

## Screw-in sockets

### Properties

|                       |                                  |
|-----------------------|----------------------------------|
| <b>Connection 1</b>   | BSP external thread, cylindrical |
| <b>Sealing form 1</b> | 60° inner cone                   |
| <b>Connection 2</b>   | BSP cylindrical external threads |
| <b>Sealing form 2</b> | Flat seal                        |
| <b>Design</b>         | Screw-in sockets                 |
| <b>Construction</b>   | straight                         |
| <b>Material</b>       | Steel                            |
| <b>Surface</b>        | electro galvanised               |



### Item

| Identification | G1           | G2           | AF<br>(mm) |
|----------------|--------------|--------------|------------|
| GE HB 04 HR 02 | G 1/4" -19   | G 1/8" -28   | 14         |
| GE HB 04 HR    | G 1/4" -19   | G 1/4" -19   | 19         |
| GE HB 04 HR 06 | G 1/4" -19   | G 3/8" -19   | 22         |
| GE HB 06 HR 04 | G 3/8" -19   | G 1/4" -19   | 19         |
| GE HB 06 HR    | G 3/8" -19   | G 3/8" -19   | 22         |
| GE HB 08 HR 06 | G 1/2" -14   | G 3/8" -19   | 22         |
| GE HB 08 HR    | G 1/2" -14   | G 1/2" -14   | 27         |
| GE HB 08 HR 12 | G 1/2" -14   | G 3/4" -14   | 27         |
| GE HB 10 HR 08 | G 5/8" -14   | G 1/2" -14   | 27         |
| GE HB 10 HR    | G 5/8" -14   | G 5/8" -14   | 30         |
| GE HB 10 HR 12 | G 5/8" -14   | G 3/4" -14   | 32         |
| GE HB 12 HR 08 | G 3/4" -14   | G 1/2" -14   | 27         |
| GE HB 12 HR 10 | G 3/4" -14   | G 5/8" -14   | 30         |
| GE HB 12 HR    | G 3/4" -14   | G 3/4" -14   | 32         |
| GE HB 16 HR 12 | G 1" -11     | G 3/4" -14   | 36         |
| GE HB 16 HR    | G 1" -11     | G 1" -11     | 41         |
| GE HB 20 HR 16 | G 1.1/4" -11 | G 1" -11     | 46         |
| GE HB 20 HR    | G 1.1/4" -11 | G 1.1/4" -11 | 50         |
| GE HB 24 HR 20 | G 1.1/2" -11 | G 1.1/4" -11 | 50         |
| GE HB 24 HR    | G 1.1/2" -11 | G 1.1/2" -11 | 55         |

AF = Width across flats