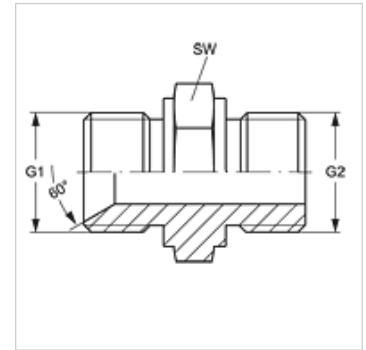


GE HB M

Screw-in sockets

Properties

| | |
|-----------------------|----------------------------------|
| Connection 1 | BSP external thread, cylindrical |
| Sealing form 1 | 60° inner cone |
| Connection 2 | metric cylindrical outer thread |
| Sealing form 2 | Shape A |
| Design | Screw-in sockets |
| Construction | straight |
| Material | Steel |
| Surface | electro galvanised |



Item

| Identification | G1 | G2 | AF (mm) |
|----------------------|------------|------------|------------|
| GE HB 08 M 18 | G 1/2" -14 | M 18 x 1.5 | 27 |

AF = Width across flats