

GE HMED AJ

Screw-in sockets

Properties

Connection 1 metric cylindrical outer thread

Sealing form 1 Shape E

Connection 2 UN/UNF nut threads

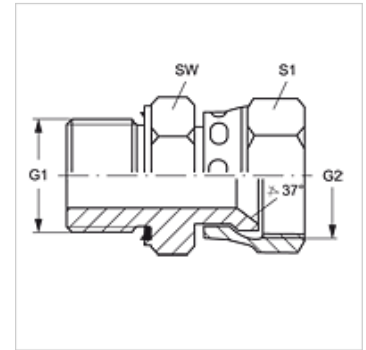
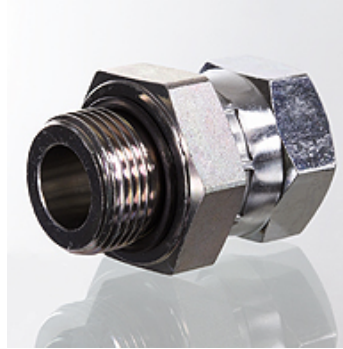
Sealing form 2 74° inner cone

Design Screw-in sockets

Construction straight

Material Steel

Surface electro galvanised



Item

Identification	G1	G2	AF (mm)	S1
GE HMED 10 AJ 04	M 10 x 1	7/16"-20 UNF	14	16
GE HMED 12 AJ 05	M 12 x 1.5	1/2"-20 UNF	17	17
GE HMED 14 AJ 06	M 14 x 1.5	9/16"-18 UNF	19	19
GE HMED 16 AJ 08	M 16 x 1.5	3/4"-16 UNF	22	22
GE HMED 22 AJ 10	M 22 x 1.5	7/8"-14 UNF	27	27
GE HMED 27 AJ 12	M 27 x 2	1.1/16" -12 UN	32	32
GE HMED 33 AJ 16	M 33 x 2	1.5/16" -12 UN	41	38

SW, S1, S2 = With across flats

Spare parts

WD Soft seal for ED fittings