

GE HMED AJF

Screw-in sockets

Properties

Connection 1 metric cylindrical outer thread

Sealing form 1 Shape E

Connection 2 UN/UNF nut threads

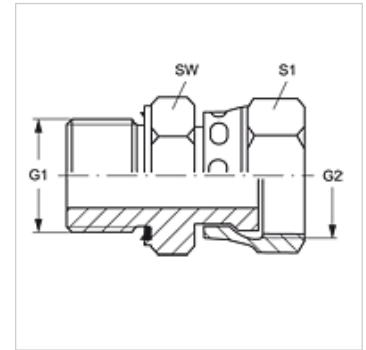
Sealing form 2 Flat seal

Design Screw-in sockets

Construction straight

Material Steel

Surface electro galvanised



Item

Identification	G1	G2	AF (mm)	S1
GE HMED 12 AJF 04	M 12 x 1.5	9/16"-18 UNF	17	17
GE HMED 14 AJF 06	M 14 x 1.5	11/16" -16 UN	19	22
GE HMED 16 AJF 08	M 16 x 1.5	13/16" -16 UN	22	24
GE HMED 22 AJF 10	M 22 x 1.5	1" -14 UNS	27	30
GE HMED 27 AJF 12	M 27 x 2	1.3/16" -12 UN	32	36
GE HMED 33 AJF 16	M 33 x 2	1.7/16" -12 UN	41	41
GE HMED 42 AJF 20	M 42 x 2	1.11/16" -12 UN	50	50

SW, S1, S2 = With across flats

Spare parts

WD Soft seal for ED fittings