

GE HMED HJ

Screw-in sockets

Properties

Connection 1 metric cylindrical outer thread

Sealing form 1 Shape E

Connection 2 UN/UNF external threads

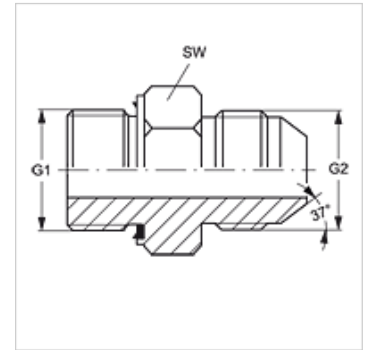
Sealing form 2 74° outer cone

Design Screw-in sockets

Construction straight

Material Steel

Surface electro galvanised



Item

Identification	G1	G2	AF (mm)
GE HMED 10 HJ 04	M 10 x 1	7/16" -20 UN	14
GE HMED 12 HJ 05	M 12 x 1.5	1/2" -20 UNF	17
GE HMED 12 HJ 06	M 12 x 1.5	9/16" -18 UNF	17
GE HMED 14 HJ 06	M 14 x 1.5	9/16" -18 UNF	19
GE HMED 16 HJ 06	M 16 x 1.5	9/16" -18 UNF	22
GE HMED 16 HJ 08	M 16 x 1.5	3/4" -16 UNF	22
GE HMED 18 HJ 08	M 18 x 1.5	3/4" -16 UNF	24
GE HMED 18 HJ 10	M 18 x 1.5	7/8" -14 UNF	24
GE HMED 22 HJ 10	M 22 x 1.5	7/8" -14 UNF	27
GE HMED 22 HJ 12	M 22 x 1.5	1.1/16" -12 UN	27
GE HMED 27 HJ 12	M 27 x 2	1.1/16" -12 UN	32
GE HMED 33 HJ 16	M 33 x 2	1.5/16" -12 UN	41
GE HMED 42 HJ 20	M 42 x 2	1.5/8" -12 UN	50
GE HMED 48 H J24	M 48 x 2	1.7/8" -12 UN	55

AF = Width across flats

Spare parts

WD Soft seal for ED fittings