

# GE HMED HJOF

## Screw-in sockets

### Properties

**Connection 1** metric cylindrical outer thread

**Sealing form 1** Shape E

**Connection 2** ORFS external threads

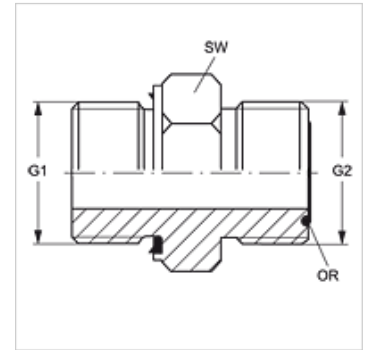
**Sealing form 2** flat seal with O-ring

**Design** Screw-in sockets

**Construction** straight

**Material** Steel

**Surface** electro galvanised



### Item

Identification	G1	G2	AF (mm)	OR
GE HMED 10 HJOF 04	M 10 x 1	9/16"-18 UNF	17	7.65 x 1.78
GE HMED 12 HJOF 06	M 12 x 1.5	11/16" -16 UN	19	9.25 x 1.78
GE HMED 14 HJOF 06	M 14 x 1.5	11/16" -16 UN	19	9.25 x 1.78
GE HMED 18 HJOF 08	M 18 x 1.5	13/16" -16 UN	24	12.42 x 1.78
GE HMED 22 HJOF 10	M 22 x 1.5	1" -14 UNS	27	15.60 x 1.78
GE HMED 27 HJOF 12	M 27 x 2	1.3/16" -12 UN	32	18.77 x 1.78
GE HMED 33 HJOF 16	M 33 x 2	1.7/16" -12 UN	41	23.52 x 1.78
GE HMED 42 HJOF 20	M 42 x 2	1.11/16" -12 UN	50	29.87 x 1.78

AF = Width across flats

### Spare parts

**WD** Soft seal for ED fittings