

GE HMO AJF

Screw-in sockets

Properties

Connection 1 metric cylindrical outer thread

Sealing form 1 O-ring seal on screw-in socket

Connection 2 ORFS nut threads

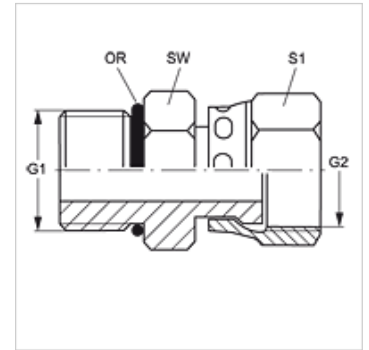
Sealing form 2 Flat seal

Design Screw-in sockets

Construction straight

Material Steel

Surface electro galvanised



Item

Identification	G1	G2	AF (mm)	S1	OR
GE HMO 12 AJF 04	M 12 x 1.5	9/16"-18 UNF	17	17	9.4 x 2.1
GE HMO 14 AJF 06	M 14 x 1.5	11/16" -16 UN	19	22	11.4 x 2.1
GE HMO 16 AJF 06	M 16 x 1.5	11/16" -16 UN	22	22	13.4 x 2.1
GE HMO 16 AJF 08	M 16 x 1.5	13/16" -16 UN	22	24	13.4 x 2.1
GE HMO 22 AJF 10	M 22 x 1.5	1" -14 UNS	27	30	19.4 x 2.1
GE HMO 27 AJF 10	M 27 x 2	1" -14 UNS	27	30	23.7 x 2.8
GE HMO 27 AJF 12	M 27 x 2	1.3/16" -12 UN	32	36	23.7 x 2.8
GE HMO 33 AJF 16	M 33 x 2	1.7/16" -12 UN	41	41	29.7 x 2.8
GE HMO 42 AJF 20	M 42 x 2	1.11/16" -12 UN	50	50	38.7 x 2.8

SW, S1, S2 = With across flats