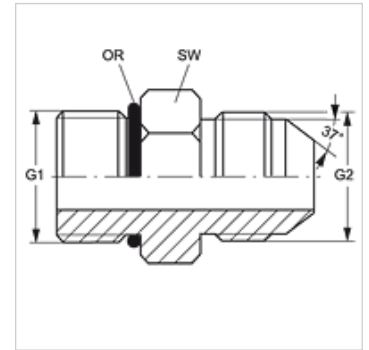
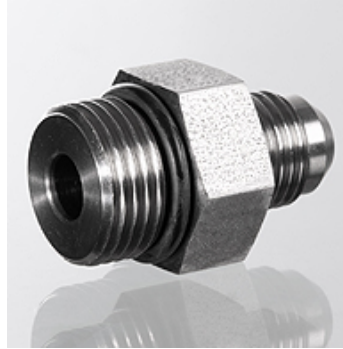


GE HMO HJ

Screw-in sockets

Properties

Connection 1	metric cylindrical outer thread
Sealing form 1	O-ring seal on screw-in socket
Connection 2	UN/UNF external threads
Sealing form 2	74° outer cone
Design	Screw-in sockets
Construction	straight
Material	Steel
Surface	electro galvanised



Item				
Identification	G1	G2	AF (mm)	OR
GE HMO 10 HJ 04	M 10 x 1	7/16"-20 UNF	14	8.1 x 1.6
GE HMO 10 HJ 05	M 10 x 1	1/2"-20 UNF	14	8.1 x 1.6
GE HMO 12 HJ 04	M 12 x 1.5	7/16"-20 UNF	17	9.3 x 2.2
GE HMO 12 HJ 05	M 12 x 1.5	1/2"-20 UNF	17	9.3 x 2.2
GE HMO 14 HJ 05	M 14 x 1.5	1/2"-20 UNF	19	11.3 x 2.2
GE HMO 14 HJ 06	M 14 x 1.5	9/16"-18 UNF	19	11.3 x 2.2
GE HMO 14 HJ 08	M 14 x 1.5	3/4"-16 UNF	19	11.3 x 2.2
GE HMO 16 HJ 06	M 16 x 1.5	9/16"-18 UNF	22	13.3 x 2.2
GE HMO 16 HJ 08	M 16 x 1.5	3/4"-16 UNF	22	13.3 x 2.2
GE HMO 18 HJ 06	M 18 x 1.5	9/16"-18 UNF	24	15.3 x 2.2
GE HMO 18 HJ 08	M 18 x 1.5	3/4"-16 UNF	24	15.3 x 2.2
GE HMO 18 HJ 10	M 18 x 1.5	7/8"-14 UNF	24	15.3 x 2.2
GE HMO 22 HJ 10	M 22 x 1.5	7/8"-14 UNF	27	19.3 x 2.2
GE HMO 22 HJ 12	M 22 x 1.5	1.1/16" -12 UN	27	19.3 x 2.2
GE HMO 27 HJ 12	M 27 x 2	1.1/16" -12 UN	32	23.6 x 2.9
GE HMO 27 HJ 16	M 27 x 2	1.5/16" -12 UN	36	23.6 x 2.9
GE HMO 33 HJ 16	M 33 x 2	1.5/16" -12 UN	41	29.6 x 2.9
GE HMO 42 HJ 20	M 42 x 2	1.5/8" -12 UN	50	38.6 x 2.9
GE HMO 48 HJ 24	M 48 x 2	1.7/8" -12 UN	55	44.6 x 2.9

AF = Width across flats