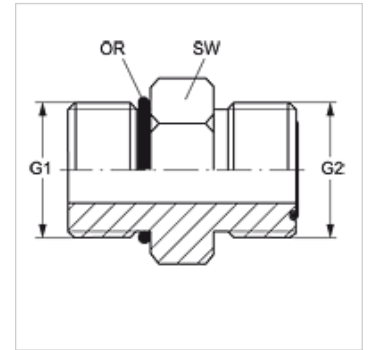


GE HMO HJOF

Screw-in sockets

Properties

Connection 1	metric cylindrical outer thread
Sealing form 1	O-ring seal on screw-in socket
Connection 2	ORFS external threads
Sealing form 2	flat seal with O-ring
Design	Screw-in sockets
Construction	straight
Material	Steel
Surface	electro galvanised



Item

Identification	G1	G2	AF (mm)	OR1	OR2
GE HMO 10 HJOF 04	M 10 x 1	9/16"-18 UNF	17	8.2 x 1.5	7.65 x 1.78
GE HMO 12 HJOF 04	M 12 x 1.5	9/16"-18 UNF	17	9.4 x 2.1	7.65 x 1.78
GE HMO 14 HJOF 06	M 14 x 1.5	11/16" -16 UN	19	11.4 x 2.1	9.25 x 1.78
GE HMO 16 HJOF 06	M 16 x 1.5	11/16" -16 UN	22	13.4 x 2.1	9.25 x 1.78
GE HMO 18 HJOF 06	M 18 x 1.5	11/16" -16 UN	24	15.4 x 2.1	9.25 x 1.78
GE HMO 18 HJOF 08	M 18 x 1.5	13/16" -16 UN	24	15.4 x 2.1	12.42 x 1.78
GE HMO 18 HJOF 10	M 18 x 1.5	1" -14 UNS	27	15.4 x 2.1	23.52 x 1.78
GE HMO 22 HJOF 08	M 22 x 1.5	13/16" -16 UN	27	19.4 x 2.1	12.42 x 1.78
GE HMO 22 HJOF 10	M 22 x 1.5	1" -14 UNS	27	19.4 x 2.1	15.60 x 1.78
GE HMO 22 HJOF 12	M 22 x 1.5	1.3/16" -12 UN	32	19.4 x 2.1	18.77 x 1.78
GE HMO 27 HJOF 10	M 27 x 2	1" -14 UNS	32	23.7 x 2.8	15.60 x 1.78
GE HMO 27 HJOF 12	M 27 x 2	1.3/16" -12 UN	32	23.7 x 2.8	18.77 x 1.78
GE HMO 33 HJOF 12	M 33 x 2	1.3/16" -12 UN	41	29.7 x 2.8	18.77 x 1.78
GE HMO 33 HJOF 16	M 33 x 2	1.7/16" -12 UN	41	29.7 x 2.8	23.52 x 1.78
GE HMO 33 HJOF 20	M 33 x 2	1.11/16" -12 UN	46	29.7 x 2.8	29.87 x 1.78
GE HMO 42 HJOF 16	M 42 x 2	1.7/8" -12 UN	50	38.7 x 2.8	23.52 x 1.78
GE HMO 42 HJOF 20	M 42 x 2	1.11/16" -12 UN	50	38.7 x 2.8	29.87 x 1.78
GE HMO 48 HJOF 20	M 48 x 2	1.11/16" -12 UN	55	46.7 x 2.8	29.87 x 1.78
GE HMO 48 HJOF 24	M 48 x 2	2" -12 UN	55	46.7 x 2.8	37.82 x 1.78

AF = Width across flats