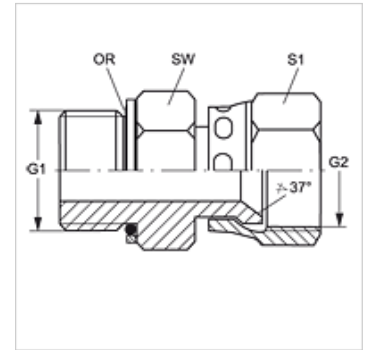


GE HMOK AJ

Screw-in sockets

Properties

| | |
|-----------------------|---|
| Connection 1 | metric cylindrical outer thread |
| Sealing form 1 | Thread socket with O-ring + spacer diaphragm ring |
| Connection 2 | UN/UNF nut threads |
| Sealing form 2 | 74° inner cone |
| Design | Screw-in sockets |
| Construction | straight |
| Material | Steel |
| Surface | electro galvanised |



Item

| Identification | G1 | G2 | AF (mm) | S1 | OR |
|------------------|------------|----------------|------------|----|------------|
| GE HMOK 10 AJ 04 | M 10 x 1 | 7/16"-20 UNF | 14 | 16 | 8.0 x 1.5 |
| GE HMOK 10 AJ 05 | M 10 x 1 | 1/2"-20 UNF | 14 | 17 | 8.0 x 1.5 |
| GE HMOK 12 AJ 04 | M 12 x 1.5 | 7/16"-20 UNF | 17 | 16 | 9.3 x 2.4 |
| GE HMOK 12 AJ 05 | M 12 x 1.5 | 1/2"-20 UNF | 17 | 17 | 9.3 x 2.4 |
| GE HMOK 14 AJ 05 | M 14 x 1.5 | 1/2"-20 UNF | 19 | 17 | 11.3 x 2.4 |
| GE HMOK 14 AJ 06 | M 14 x 1.5 | 9/16"-18 UNF | 19 | 19 | 11.3 x 2.4 |
| GE HMOK 16 AJ 06 | M 16 x 1.5 | 9/16"-18 UNF | 22 | 19 | 13.3 x 2.4 |
| GE HMOK 16 AJ 08 | M 16 x 1.5 | 3/4"-16 UNF | 22 | 22 | 13.3 x 2.4 |
| GE HMOK 18 AJ 08 | M 18 x 1.5 | 3/4"-16 UNF | 24 | 22 | 15.3 x 2.4 |
| GE HMOK 18 AJ 10 | M 18 x 1.5 | 7/8"-14 UNF | 24 | 27 | 15.3 x 2.4 |
| GE HMOK 20 AJ 10 | M 20 x 1.5 | 7/8"-14 UNF | 27 | 27 | 17.3 x 2.4 |
| GE HMOK 22 AJ 10 | M 22 x 1.5 | 7/8"-14 UNF | 27 | 27 | 19.3 x 2.4 |
| GE HMOK 22 AJ 12 | M 22 x 1.5 | 1.1/16" -12 UN | 27 | 32 | 19.3 x 2.4 |
| GE HMOK 26 AJ 14 | M 26 x 1.5 | 1.3/16" -12 UN | 36 | 36 | 23.5 x 2.6 |
| GE HMOK 27 AJ 12 | M 27 x 2 | 1.1/16" -12 UN | 32 | 32 | 23.6 x 2.9 |
| GE HMOK 27 AJ 16 | M 27 x 2 | 1.5/16" -12 UN | 32 | 38 | 23.6 x 2.9 |
| GE HMOK 33 AJ 16 | M 33 x 2 | 1.5/16" -12 UN | 41 | 38 | 29.5 x 3.0 |
| GE HMOK 42 AJ 20 | M 42 x 2 | 1.5/8" -12 UN | 50 | 50 | 38.0 x 3.0 |
| GE HMOK 48 AJ 24 | M 48 x 2 | 1.7/8" -12 UN | 60 | 60 | 44.0 x 3.0 |

SW, S1, S2 = With across flats

Spare parts

KAMMRING M Diaphragm ring, metric