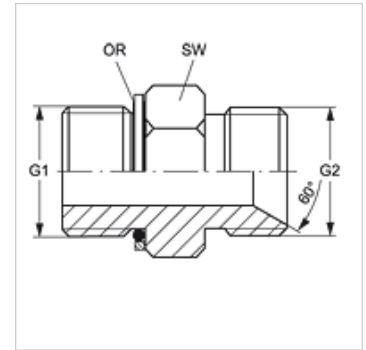


# GE HMOK HB

## Screw-in sockets

### Properties

<b>Connection 1</b>	metric cylindrical outer thread
<b>Sealing form 1</b>	Thread socket with O-ring + spacer diaphragm ring
<b>Connection 2</b>	BSP cylindrical external threads
<b>Sealing form 2</b>	60° inner cone
<b>Design</b>	Screw-in sockets
<b>Construction</b>	straight
<b>Material</b>	Steel
<b>Surface</b>	electro galvanised



### Item

Identification	G1	G2	AF (mm)	OR
GE HMOK 10 HB 02	M 10 x 1	G 1/8" -28	14	8.1 x 1.6
GE HMOK 12 HB 02	M 12 x 1.5	G 1/8" -28	17	9.3 x 2.2
GE HMOK 12 HB 04	M 12 x 1.5	G 1/4" -19	19	9.3 x 2.2
GE HMOK 14 HB 04	M 14 x 1.5	G 1/4" -19	19	11.3 x 2.2
GE HMOK 14 HB 06	M 14 x 1.5	G 3/8" -19	22	11.3 x 2.2
GE HMOK 16 HB 04	M 16 x 1.5	G 1/4" -19	22	13.3 x 2.2
GE HMOK 16 HB 06	M 16 x 1.5	G 3/8" -19	22	13.3 x 2.2
GE HMOK 18 HB 06	M 18 x 1.5	G 3/8" -19	24	15.3 x 2.2
GE HMOK 18 HB 08	M 18 x 1.5	G 1/2" -14	24	15.3 x 2.2
GE HMOK 20 HB 08	M 20 x 1.5	G 1/2" -14	27	17.3 x 2.2
GE HMOK 22 HB 08	M 22 x 1.5	G 1/2" -14	27	19.3 x 2.2
GE HMOK 22 HB 10	M 22 x 1.5	G 5/8" -14	27	19.3 x 2.2
GE HMOK 22 HB 12	M 22 x 1.5	G 3/4" -14	32	19.3 x 2.2
GE HMOK 26 HB 12	M 26 x 1.5	G 3/4" -14	32	23.6 x 2.9
GE HMOK 27 HB 12	M 27 x 2	G 3/4" -14	32	23.6 x 2.9
GE HMOK 27 HB 16	M 27 x 2	G 1" -11	41	23.6 x 2.9
GE HMOK 33 HB 16	M 33 x 2	G 1" -11	41	29.6 x 2.9
GE HMOK 42 HB 20	M 42 x 2	G 1.1/4" -11	50	38.6 x 2.9
GE HMOK 48 HB 24	M 48 x 2	G 1.1/2" -11	55	44.6 x 2.9

AF = Width across flats

### Spare parts

**KAMMRING M** Diaphragm ring, metric