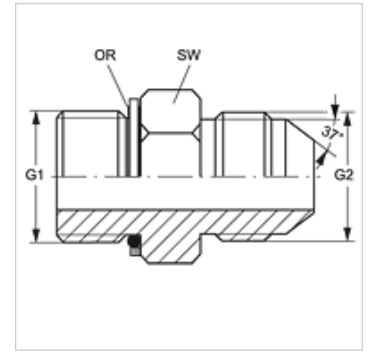


GE HMOK HJ

Screw-in sockets

Properties

Connection 1	metric cylindrical outer thread
Sealing form 1	Thread socket with O-ring + spacer diaphragm ring
Connection 2	UN/UNF external threads
Sealing form 2	74° outer cone
Design	Screw-in sockets
Construction	straight
Material	Steel
Surface	electro galvanised



Item

Identification	G1	G2	AF (mm)	OR
GE HMOK 10 HJ 04	M 10 x 1	7/16"-20 UNF	14	8.00 x 1.50
GE HMOK 10 HJ 05	M 10 x 1	1/2"-20 UNF	14	8.00 x 1.50
GE HMOK 12 HJ 04	M 12 x 1.5	7/16"-20 UNF	17	9.30 x 2.30
GE HMOK 12 HJ 05	M 12 x 1.5	1/2"-20 UNF	19	9.30 x 2.30
GE HMOK 14 HJ 05	M 14 x 1.5	1/2"-20 UNF	19	11.30 x 2.30
GE HMOK 14 HJ 06	M 14 x 1.5	9/16"-18 UNF	19	11.30 x 2.30
GE HMOK 14 HJ 08	M 14 x 1.5	3/4"-16 UNF	19	11.30 x 2.30
GE HMOK 16 HJ 06	M 16 x 1.5	9/16"-18 UNF	22	13.30 x 2.30
GE HMOK 16 HJ 08	M 16 x 1.5	3/4"-16 UNF	22	13.30 x 2.30
GE HMOK 18 HJ 08	M 18 x 1.5	3/4"-16 UNF	24	15.30 x 2.30
GE HMOK 18 HJ 10	M 18 x 1.5	7/8"-14 UNF	24	15.30 x 2.30
GE HMOK 18 HJ 12	M 18 x 1.5	1.1/16" -12 UN	27	15.30 x 2.30
GE HMOK 20 HJ 10	M 20 x 1.5	7/8"-14 UNF	27	17.30 x 2.30
GE HMOK 22 HJ 08	M 22 x 1.5	3/4"-16 UNF	27	19.30 x 2.30
GE HMOK 22 HJ 10	M 22 x 1.5	7/8"-14 UNF	27	19.30 x 2.30
GE HMOK 22 HJ 12	M 22 x 1.5	1.1/16" -12 UN	27	19.30 x 2.30
GE HMOK 26 HJ 08	M 26 x 1.5	3/4"-16 UNF	27	23.50 x 2.60
GE HMOK 26 HJ 12	M 26 x 1.5	1.1/16" -12 UN	32	23.50 x 2.60
GE HMOK 26 HJ 14	M 26 x 1.5	1.3/16" -12 UN	32	23.50 x 2.60
GE HMOK 26 HJ 16	M 26 x 1.5	1.5/16" -12 UN	36	23.50 x 2.60
GE HMOK 27 HJ 12	M 27 x 2	1.1/16" -12 UN	32	23.47 x 2.95
GE HMOK 27 HJ 16	M 27 x 2	1.5/16" -12 UN	36	23.47 x 2.95
GE HMOK 33 HJ 16	M 33 x 2	1.5/16" -12 UN	41	29.74 x 2.95
GE HMOK 42 HJ 20	M 42 x 2	1.5/8" -12 UN	50	38.00 x 3.00
GE HMOK 48 HJ 24	M 48 x 2	1.7/8" -12 UN	55	44.00 x 3.00

AF = Width across flats

Spare parts

KAMMRING M	Diaphragm ring, metric
-------------------	------------------------