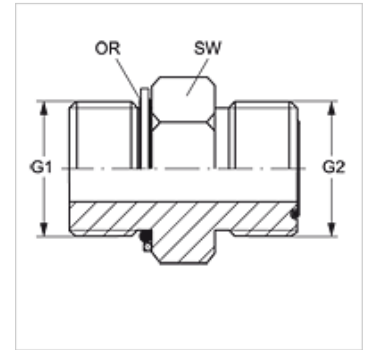


# GE HMOK HJOF

Screw-in sockets

## Properties

<b>Connection 1</b>	metric cylindrical outer thread
<b>Sealing form 1</b>	Thread socket with O-ring + spacer diaphragm ring
<b>Connection 2</b>	ORFS external threads
<b>Sealing form 2</b>	flat seal with O-ring
<b>Design</b>	Screw-in sockets
<b>Construction</b>	straight
<b>Material</b>	Steel
<b>Surface</b>	electro galvanised



## Item

Identification	G1	G2	AF (mm)	OR1	OR2
GE HMOK 10 HJOF 04	M 10 x 1	9/16"-18 UNF	17	8.2 x 1.5	7.65 x 1.78
GE HMOK 12 HJOF 04	M 12 x 1.5	9/16"-18 UNF	17	9.4 x 2.1	7.65 x 1.78
GE HMOK 14 HJOF 04	M 14 x 1.5	9/16"-18 UNF	19	11.4 x 2.1	7.65 x 1.78
GE HMOK 14 HJOF 06	M 14 x 1.5	11/16" -16 UN	19	11.4 x 2.1	9.25 x 1.78
GE HMOK 16 HJOF 06	M 16 x 1.5	11/16" -16 UN	22	13.4 x 2.1	9.25 x 1.78
GE HMOK 18 HJOF 08	M 18 x 1.5	13/16" -16 UN	24	15.4 x 2.1	12.42 x 1.78
GE HMOK 22 HJOF 08	M 22 x 1.5	13/16" -16 UN	27	19.4 x 2.1	12.42 x 1.78
GE HMOK 22 HJOF 10	M 22 x 1.5	1" -14 UNS	27	19.4 x 2.1	15.60 x 1.78
GE HMOK 27 HJOF 10	M 27 x 2	1" -14 UNS	32	23.7 x 2.8	15.60 x 1.78
GE HMOK 27 HJOF 12	M 27 x 2	1.3/16" -12 UN	32	23.7 x 2.8	18.77 x 1.78
GE HMOK 33 HJOF 12	M 33 x 2	1.3/16" -12 UN	41	29.7 x 2.8	18.77 x 1.78
GE HMOK 33 HJOF 16	M 33 x 2	1.7/16" -12 UN	41	29.7 x 2.8	23.52 x 1.78
GE HMOK 33 HJOF 20	M 33 x 2	1.11/16" -12 UN	46	29.7 x 2.8	29.87 x 1.78
GE HMOK 42 HJOF 20	M 42 x 2	1.11/16" -12 UN	50	38.7 x 2.8	29.87 x 1.78
GE HMOK 48 HJOF 20	M 48 x 2	1.11/16" -12 UN	55	46.7 x 2.8	29.87 x 1.78
GE HMOK 48 HJOF 24	M 48 x 2	2" -12 UN	55	46.7 x 2.8	37.82 x 1.78

AF = Width across flats

## Spare parts

**KAMMRING M** Diaphragm ring, metric