

GE HMOK L HJ

Screw-in socket, long

HANSA FLEX

Properties

Connection 1 metric cylindrical outer thread

Sealing form 1 O-ring and spacer diaphragm ring

Connection 2 UN/UNF external threads

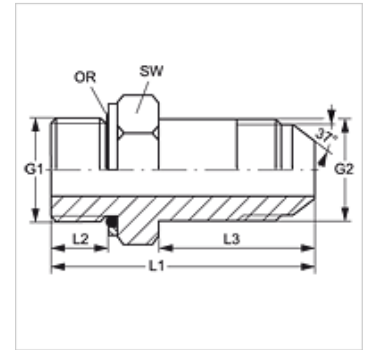
Sealing form 2 74° outer cone

Design Screw-in socket, long

Construction straight

Material Steel

Surface electro galvanised



Item

Identification	G1	G2	L1 (mm)	L2 (mm)	L3 (mm)	AF (mm)	OR
GE HMOK L 10 HJ 04	M 10 x 1	7/16"-20 UNF	51,0	8,0	35	15	8.00 x 1.50
GE HMOK L 10 HJ 05	M 10 x 1	1/2"-20 UNF	53,0	8,0	37	15	8.00 x 1.50
GE HMOK L 12 HJ 05	M 12 x 1.5	1/2"-20 UNF	55,5	9,5	37	18	9.30 x 2.30
GE HMOK L 14 HJ 05	M 14 x 1.5	1/2"-20 UNF	56,5	9,5	37	20	11.30 x 2.30
GE HMOK L 14 HJ 06	M 14 x 1.5	9/16"-18 UNF	58,5	9,5	39	20	11.30 x 2.30
GE HMOK L 16 HJ 06	M 16 x 1.5	9/16"-18 UNF	60,0	11,0	39	22	13.30 x 2.30
GE HMOK L 16 HJ 08	M 16 x 1.5	3/4"-16 UNF	69,0	11,0	48	22	13.30 x 2.30
GE HMOK L 18 HJ 08	M 18 x 1.5	3/4"-16 UNF	70,5	12,0	48	25	15.30 x 2.30
GE HMOK L 18 HJ 10	M 18 x 1.5	7/8"-14 UNF	75,5	12,0	53	25	15.30 x 2.30
GE HMOK L 20 HJ 10	M 20 x 1.5	7/8"-14 UNF	76,5	12,0	53	28	17.30 x 2.30
GE HMOK L 22 HJ 10	M 22 x 1.5	7/8"-14 UNF	78,0	13,5	53	28	19.30 x 2.30
GE HMOK L 22 HJ 12	M 22 x 1.5	1.1/16" -12 UN	89,0	13,5	63	28	19.30 x 2.30
GE HMOK L 27 HJ 12	M 27 x 2	1.1/16" -12 UN	92,5	16,0	63	32	23.47 x 2.95
GE HMOK L 27 HJ 16	M 27 x 2	1.5/16" -12 UN	102,0	16,0	72	32	23.47 x 2.95
GE HMOK L 33 HJ 16	M 33 x 2	1.5/16" -12 UN	102,5	16,0	72	42	29.74 x 2.95
GE HMOK L 42 HJ 20	M 42 x 2	1.5/8" -12 UN	121,0	16,5	88	50	38.00 x 3.00
GE HMOK L 48 HJ 24	M 48 x 2	1.7/8" -12 UN	136,0	19,5	88	56	44.00 x 3.00

AF = Width across flats

Spare parts

KAMMRING M Diaphragm ring, metric